

LC Series

Clean Actuator

MODEL

LC 045

LC 065

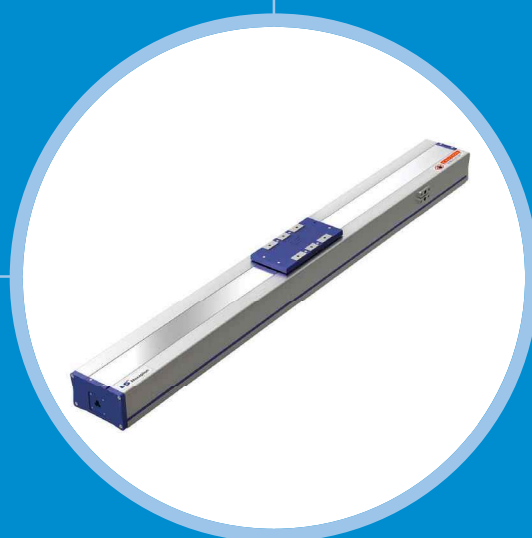
LC 070

LC 090

LC 120

LC 140

LC 180



Peripheral Device



C O N T E N T S

Feature 130

Composition 132

LC 045 133

LC 065 137

LC 070 141

LC 090 145

LC 120 149

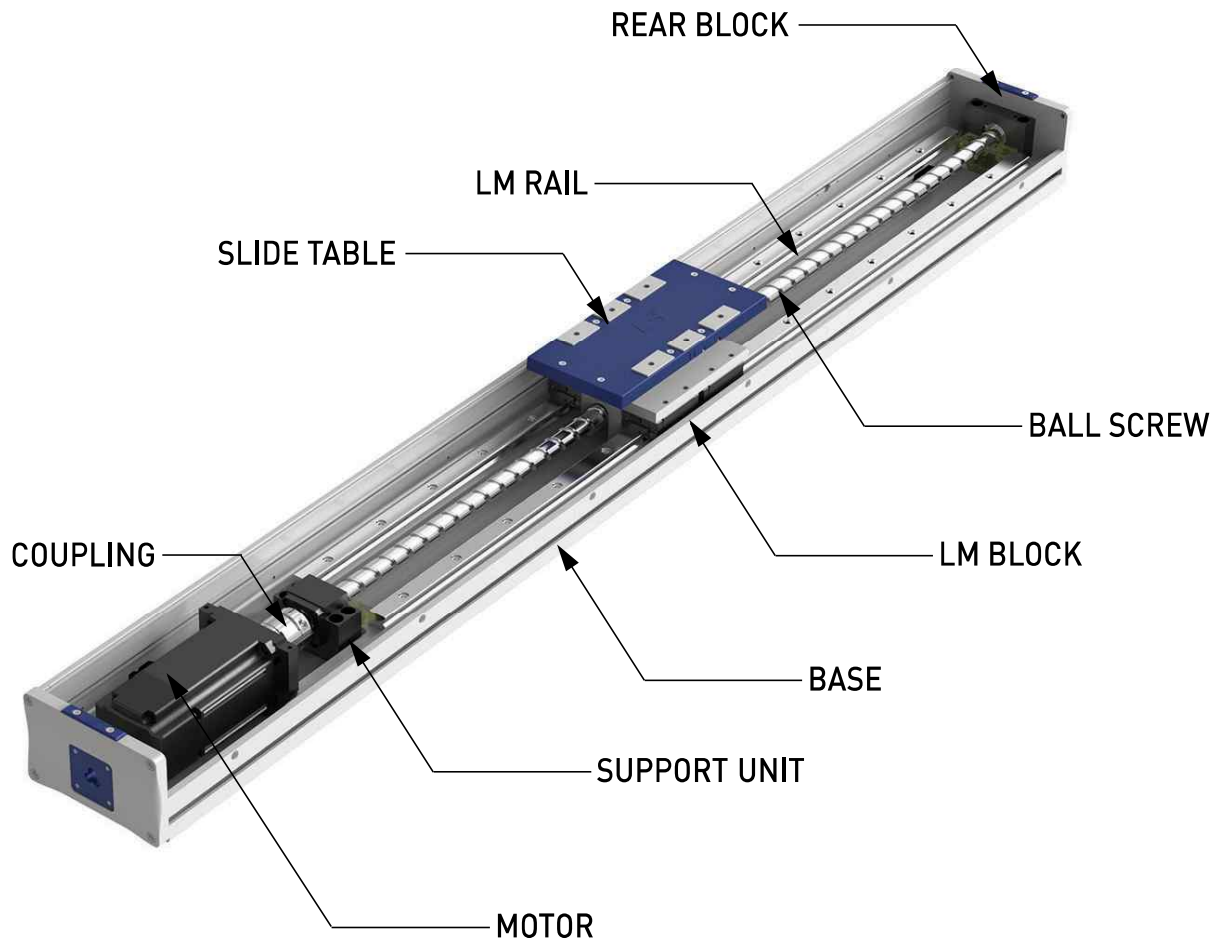
LC 140 153

LC 180 157

Other 161

LC Series

○ LC Assembly



Feature

- High Quality
숙련된 노하우(Know - How)와 철저한 품질관리
- Short Delivery
표준화 정립과 재고보유로 단 납기 확보
- Low Cost
부품간 표준화 정립으로 가격 경쟁력 확보
- Low Center
LM가이드 볼 전동면과 볼 나사 축 중심의 채택(볼 나사 소음/진동 감소)

○ 사용 시 주의사항

1. 점검 및 주유시기

제품의 정기적 점검과 Grease 주입으로 LM Guide 및 Ball Screw의 손상을 방지 할 수 있습니다.

구 분	주 기	점검 및 Grease절차
Ass'y	상시	제품의 동작 및 소음발생 확인
Ball Screw	1회/6개월	Ball Screw 축경 도포 및 Nut의 Nipple에 그리스 건을 삽입하여 주입
LM Guide	1회/6개월	LM Block의 Nipple에 그리스 건을 삽입하여 주입

2. 제품 내부 주기적 청소

제품 내부의 주기적 청소로 이물질 혼입을 방지하여 제품 고장 없이 장기간 사용 할 수 있습니다.

(육안으로 이물질 발생시 상부Cover 및 측면Cover를 열고 진공 청소기 및 에어건을 이용하여 내부 이물질 제거 후 사용하시기 바랍니다.)

3. 제품의 체결부 상시 확인

각 체결부의 체결상태를 확인하여 제품의 정도 등의 틀어짐이 없이 장기간 사용 할 수 있습니다.

(설치 후 1~2개월 주기로 확인하여, 예방점검 및 일정계획을 수립하여 사용하시기 바랍니다.)

○ 시스템 구성



MS Series

LU Series

MB Series

LB Series

LC Series

LL Series

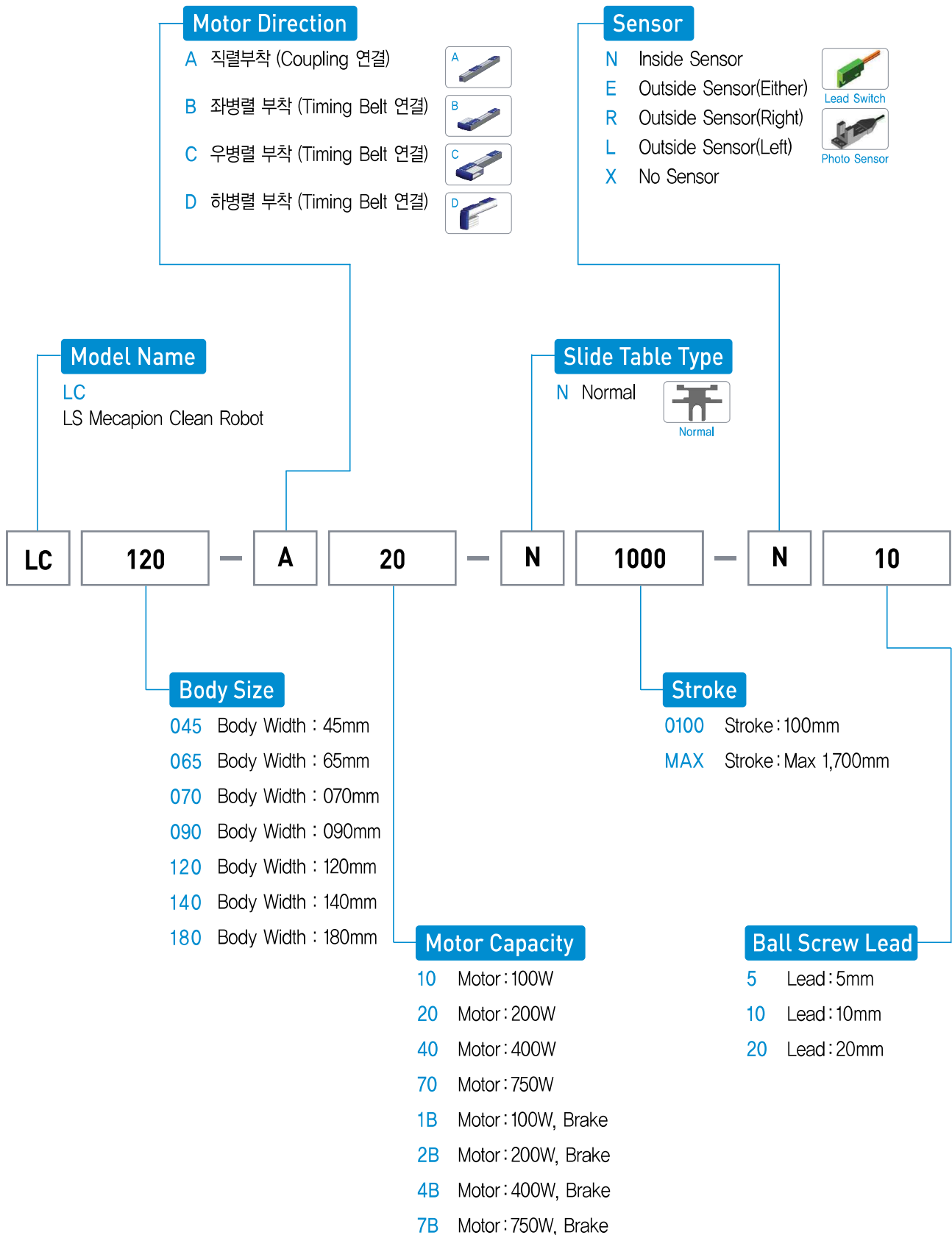
LA Series

LX Series

LT Series

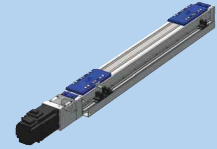
형번구성

- MS Series
- LU Series
- MB Series
- LB Series
- LC Series
- LL Series
- LA Series
- LX Series
- LT Series



LC045-A

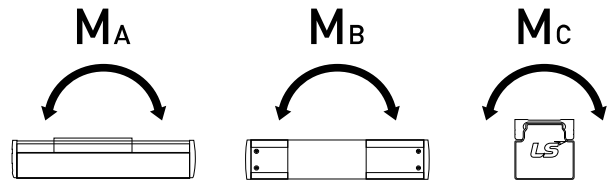
Body Size : 45mm / Stroke : ~500mm
 Servo Motor : 50~100W



Specification

Motor Output[W]	50	100
LM Guide	NO. 12 (1Rail - 1Block)	
Ball Screw Size/Grade	Ø12 / C7	
Ball Screw Lead[mm]	05	10
Rated Speed[mm/sec]	250	500
Maximum Load Capacity[kgf]	Horizontal	12
	Vertical	4
Stroke[mm]	~ 500	
Repeatability[mm]	± 0.02	
Color	White / Black	

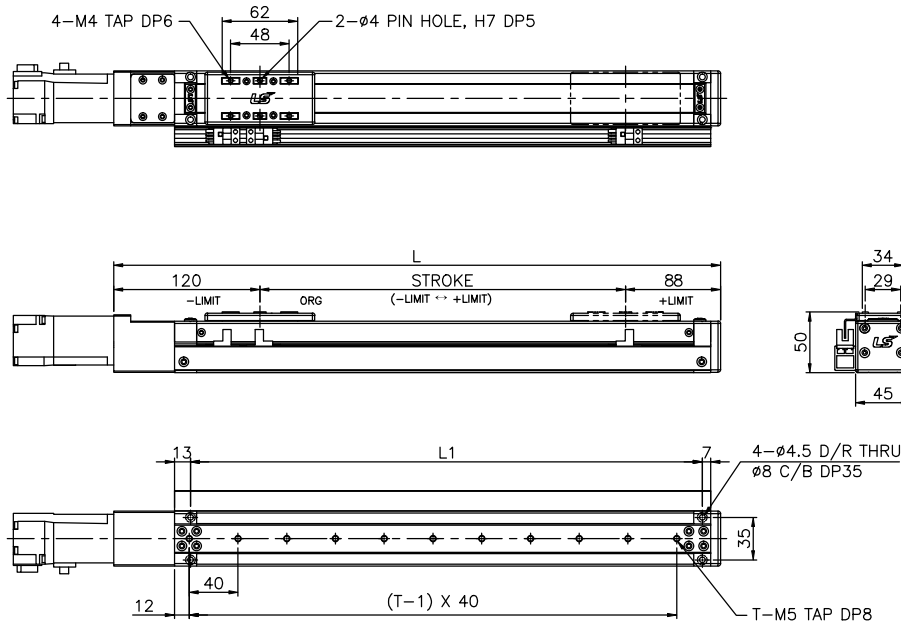
Statically Admissible State



Statically Admissible State[N-m]	MA	MB	MC
	56.4	56.4	95.6

Dimensions

[unit : mm]



Stroke[mm]		50	100	150	200	250	300	350	400	450	500
Weight[kg]		1.4	1.5	1.7	1.9	2.0	2.2	2.4	2.5	2.7	2.8
Max Speed [mm/s]	1205	250									
	1210	500									
Body Length [mm]	L	258	308	358	408	458	508	558	608	658	708
	L1	170	220	270	320	370	420	470	520	570	620
	T	6	7	8	9	10	11	12	13	14	15

MS Series

LU Series

MB Series

LB Series

LC Series

LL Series

LA Series

LX Series

LT Series

LC045-B

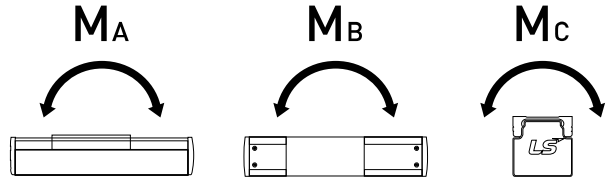
Body Size : 45mm / Stroke : ~500mm
 Servo Motor : 50~100W



○ Specification

Motor Output[W]	50	100
LM Guide	NO. 12 (1Rail - 1Block)	
Ball Screw Size/Grade	Ø12 / C7	
Ball Screw Lead[mm]	05	10
Rated Speed[mm/sec]	250	500
Maximum Load Capacity[kgf]	Horizontal	12
	Vertical	4
Stroke[mm]	~ 500	
Repeatability[mm]	± 0.02	
Color	White / Black	

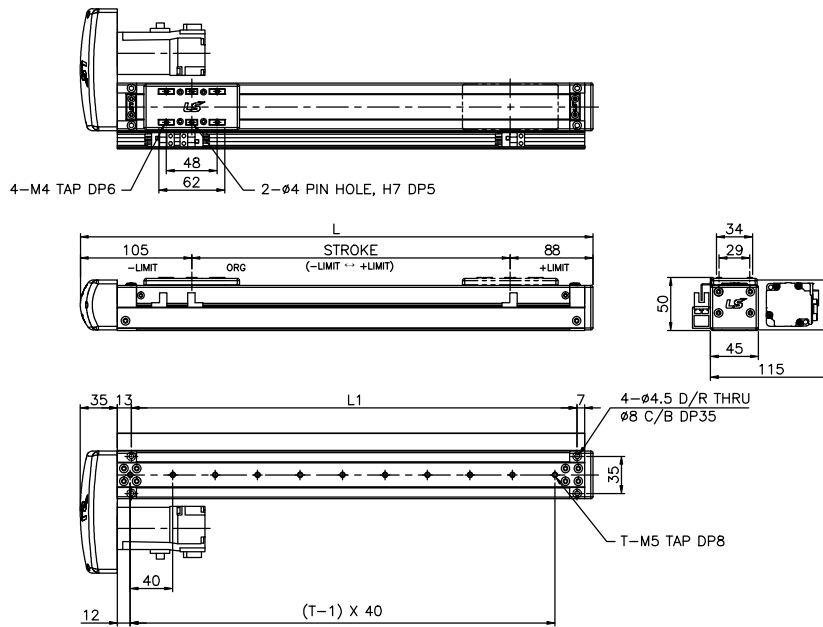
○ Statically Admissible State



Statically Admissible State[N-m]	MA	MB	MC
	56.4	56.4	95.6

○ Dimensions

[unit : mm]



Stroke[mm]		50	100	150	200	250	300	350	400	450	500
Weight[kg]		1.9	2.1	2.2	2.4	2.5	2.7	2.9	3.0	3.2	3.3
Max Speed [mm/s]	1205	250									
	1210	500									
Body Length [mm]	L	243	293	343	393	443	493	543	593	643	693
	L1	170	200	270	320	370	420	470	520	570	620
	T	6	7	8	9	10	11	12	13	14	15

LC045-C

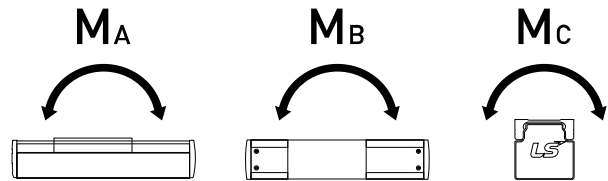
Body Size : 45mm / Stroke : ~500mm
 Servo Motor : 50~100W



Specification

Motor Output [W]	50	100
LM Guide	NO. 12 (1Rail - 1Block)	
Ball Screw Size/Grade	Ø12 / C7	
Ball Screw Lead [mm]	05	10
Rated Speed [mm/sec]	250	500
Maximum Load Capacity [kgf]	Horizontal	12
	Vertical	4
Stroke [mm]	~ 500	
Repeatability [mm]	± 0.02	
Color	White / Black	

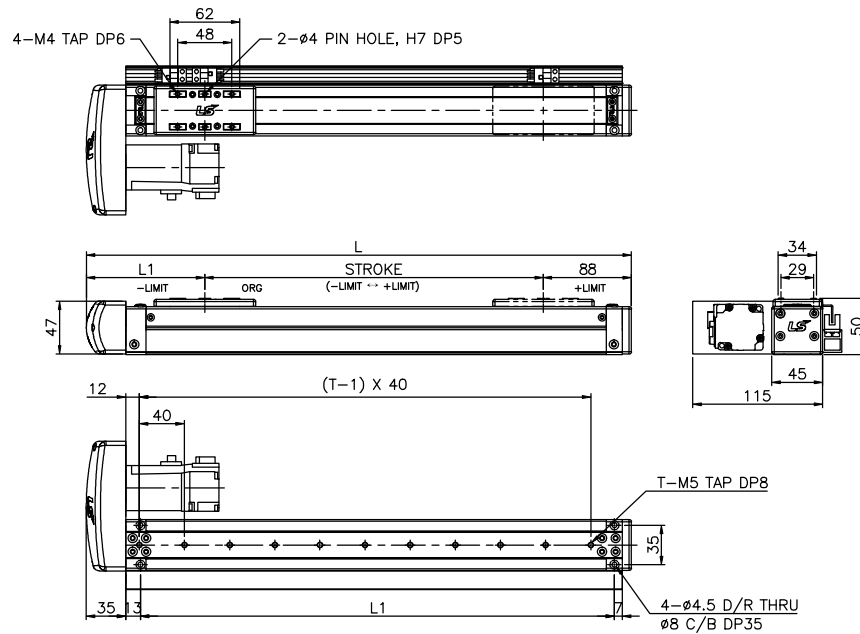
Statically Admissible State



Statically Admissible State [N-m]	MA	MB	MC
	56.4	56.4	95.6

Dimensions

[unit : mm]



Stroke [mm]		50	100	150	200	250	300	350	400	450	500
Weight [kg]		1.9	2.1	2.2	2.4	2.5	2.7	2.9	3.0	3.2	3.3
Max Speed [mm/s]	1205	250									
	1210	500									
Body Length [mm]	L	243	293	343	393	443	493	543	593	643	693
	L1	170	200	270	320	370	420	470	520	570	620
	T	6	7	8	9	10	11	12	13	14	15

MS Series

LU Series

MB Series

LB Series

LC Series

LL Series

LA Series

LX Series

LT Series

LC045-D

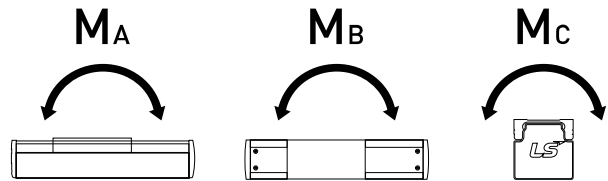
Body Size : 45mm / Stroke : ~500mm
 Servo Motor : 50~100W



Specification

Motor Output[W]	50	100
LM Guide	NO. 12 (1Rail - 1Block)	
Ball Screw Size/Grade	Ø12 / C7	
Ball Screw Lead[mm]	05	10
Rated Speed[mm/sec]	250	500
Maximum Load Capacity[kgf]	Horizontal	12
	Vertical	4
Stroke[mm]	~ 500	
Repeatability[mm]	± 0.02	
Color	White / Black	

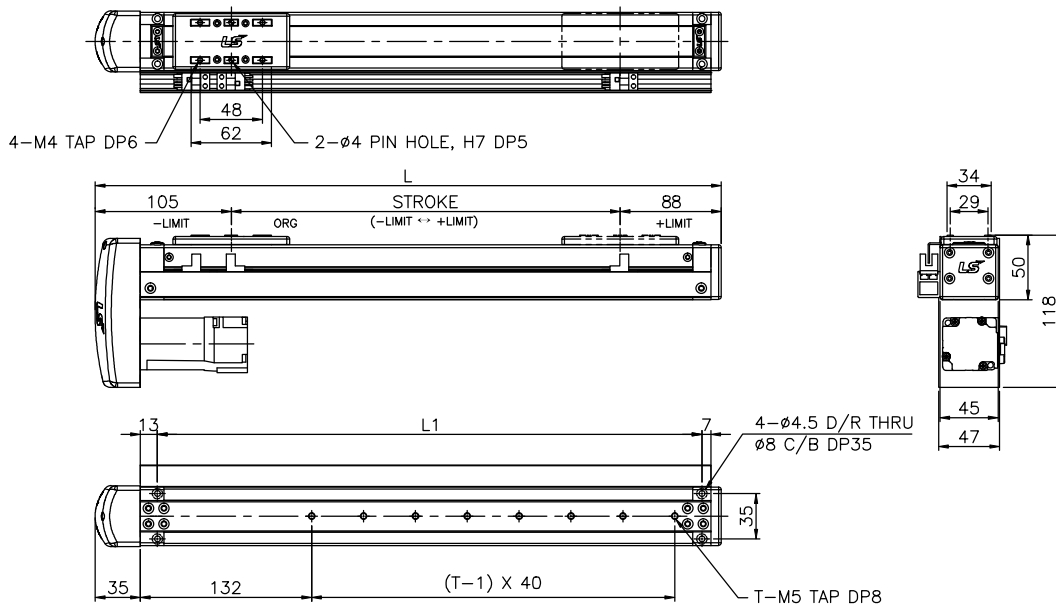
Statically Admissible State



Statically Admissible State[N·m]	MA	MB	MC
	56.4	56.4	95.6

Dimensions

[unit : mm]



Stroke[mm]		50	100	150	200	250	300	350	400	450	500
Weight[kg]		1.9	2.1	2.2	2.4	2.5	2.7	2.9	3.0	3.2	3.3
Max Speed [mm/s]	1205	250									
	1210	500									
Body Length [mm]	L	243	293	343	393	443	493	543	593	643	693
	L1	170	200	270	320	370	420	470	520	570	620
	T	6	7	8	9	10	11	12	13	14	15

LC065-A

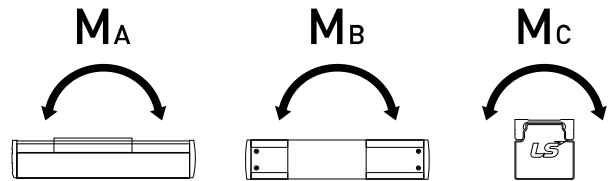
Body Size : 65mm / Stroke : ~500mm
 Servo Motor : 50, 100W



Specification

Motor Output [W]		50	100	
LM Guide		NO. 15 (1Rail - 1Block)		
Ball Screw Size/Grade		Ø12 / C7		
Ball Screw Lead [mm]		05	10	20
Rated Speed [mm/sec]		250	500	1000
Maximum Load Capacity [kgf]	Horizontal	16	16	10
	Vertical	7	6	4
Stroke [mm]		~ 500		
Repeatability [mm]		± 0.01		
Color		White / Black		

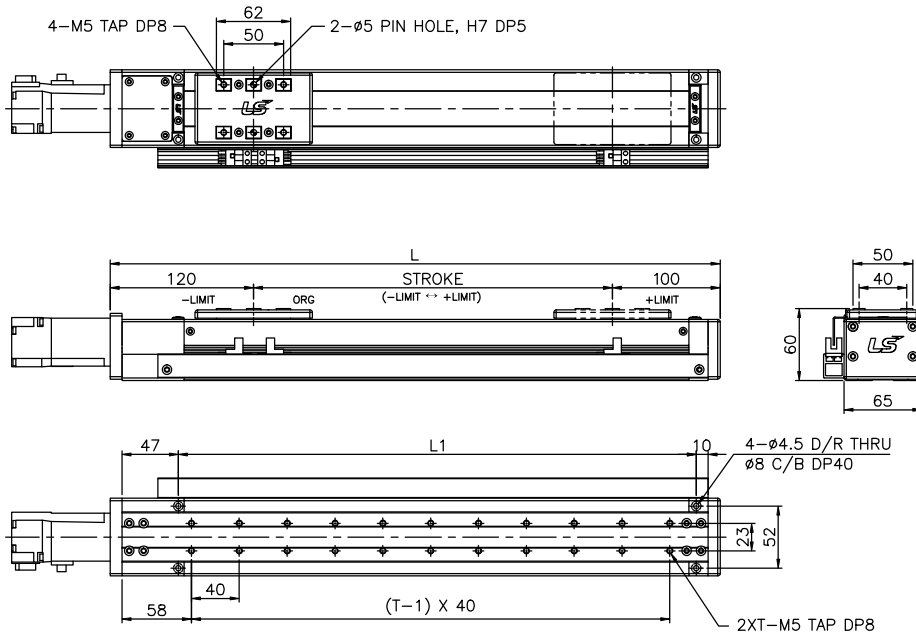
Statically Admissible State



Statically Admissible State [N-m]	MA	MB	MC
	45.7	45.7	171.7

Dimensions

[unit : mm]



Stroke [mm]		50	100	150	200	250	300	350	400	450	500
Weight [kg]		2.2	2.4	2.7	2.9	3.2	3.4	3.7	4.0	4.2	4.5
Max Speed [mm/s]	1205	250									
	1210	500									
	1220	1000									
Body Length [mm]	L	270	320	370	420	470	520	570	620	670	720
	L1	183	233	283	333	383	433	483	533	583	633
	T	6	7	8	9	10	11	12	13	14	15

MS Series

LU Series

MB Series

LB Series

LC Series

LL Series

LA Series

LX Series

LT Series

LC065-B

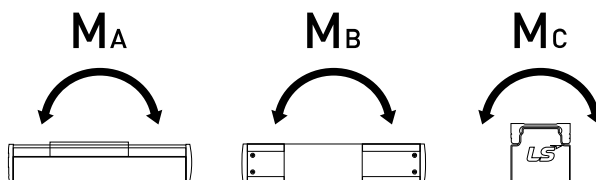
Body Size : 65mm / Stroke : ~500mm
 Servo Motor : 50, 100W



Specification

Motor Output[W]	50		100	
LM Guide	NO. 15 (1Rail - 1Block)			
Ball Screw Size/Grade	Ø12 / C7			
Ball Screw Lead[mm]	05	10	20	
Rated Speed[mm/sec]	250	500	1000	
Maximum Load Capacity[kgf]	Horizontal	16	16	10
	Vertical	7	6	4
Stroke[mm]	~ 500			
Repeatability[mm]	± 0.01			
Color	White / Black			

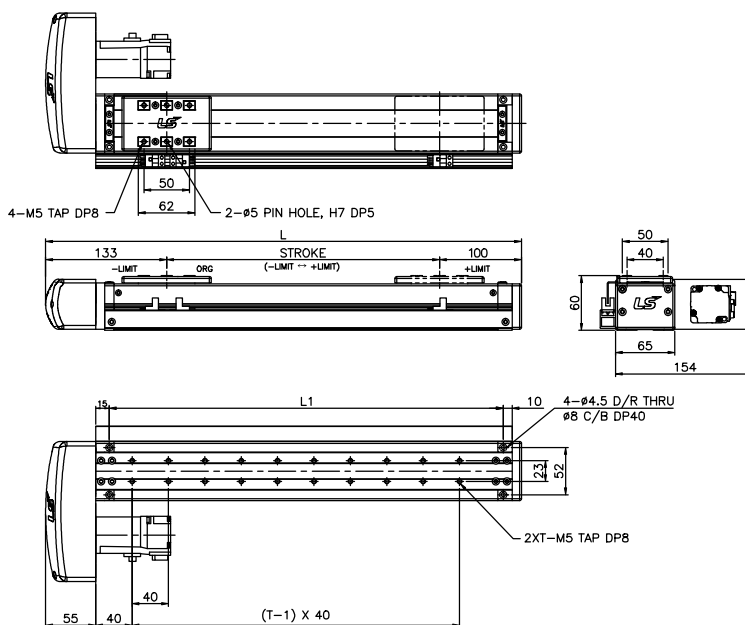
Statically Admissible State



Statically Admissible State[N-m]	MA	MB	MC
	45.7	45.7	171.7

Dimensions

[unit : mm]



Stroke[mm]		50	100	150	200	250	300	350	400	450	500
Weight[kg]		2.2	2.4	2.7	2.9	3.2	3.4	3.7	4.0	4.2	4.5
Max Speed [mm/s]	1205	250									
	1210	500									
	1220	1000									
Body Length [mm]	L	283	333	383	433	483	533	583	633	683	733
	L1	183	233	283	333	383	433	483	533	583	633
	T	5	6	7	8	9	10	11	12	13	14

LC065-C

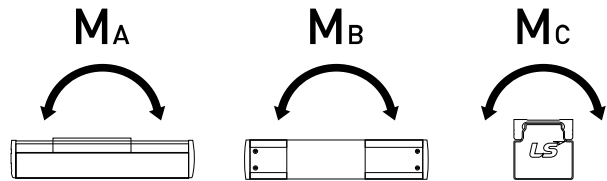
Body Size : 65mm / Stroke : ~500mm
 Servo Motor : 50, 100W



Specification

Motor Output [W]		50	100	
LM Guide		NO. 15 (1Rail - 1Block)		
Ball Screw Size/Grade		Ø12 / C7		
Ball Screw Lead [mm]		05	10	20
Rated Speed [mm/sec]		250	500	1000
Maximum Load Capacity [kgf]	Horizontal	16	16	10
	Vertical	7	6	4
Stroke [mm]		~ 500		
Repeatability [mm]		± 0.01		
Color		White / Black		

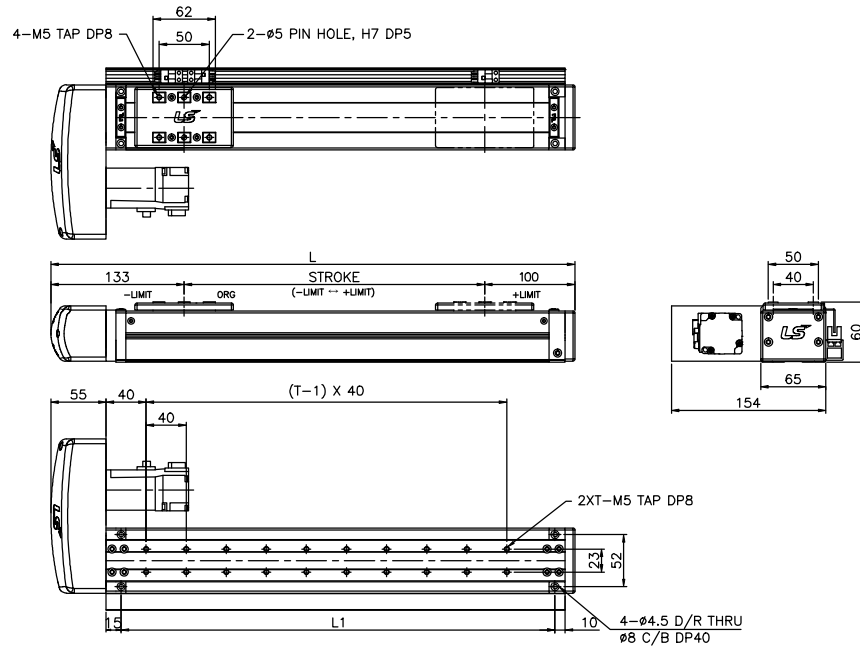
Statically Admissible State



Statically Admissible State [N-m]	MA	MB	MC
	45.7	45.7	171.7

Dimensions

[unit : mm]



Stroke [mm]		50	100	150	200	250	300	350	400	450	500
Weight [kg]		2.2	2.4	2.7	2.9	3.2	3.4	3.7	4.0	4.2	4.5
Max Speed [mm/s]	1205	250									
	1210	500									
	1220	1000									
Body Length [mm]	L	283	333	383	433	483	533	583	633	683	733
	L1	183	233	283	333	383	433	483	533	583	633
	T	5	6	7	8	9	10	11	12	13	14

MS Series

LU Series

MB Series

LB Series

LC Series

LL Series

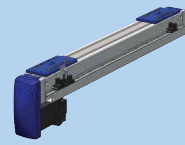
LA Series

LX Series

LT Series

LC065-D

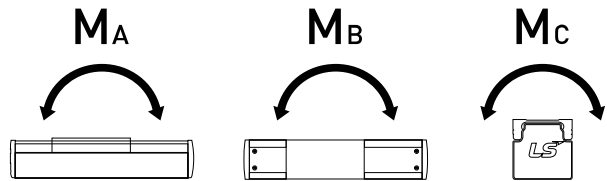
Body Size : 65mm / Stroke : ~500mm
 Servo Motor : 50, 100W



Specification

Motor Output[W]	50		100	
LM Guide	NO. 15 (1Rail - 1Block)			
Ball Screw Size/Grade	Ø12 / C7			
Ball Screw Lead[mm]	05	10	20	
Rated Speed[mm/sec]	250	500	1000	
Maximum Load Capacity[kgf]	Horizontal	16	16	10
	Vertical	7	6	4
Stroke[mm]	~ 500			
Repeatability[mm]	± 0.01			
Color	White / Black			

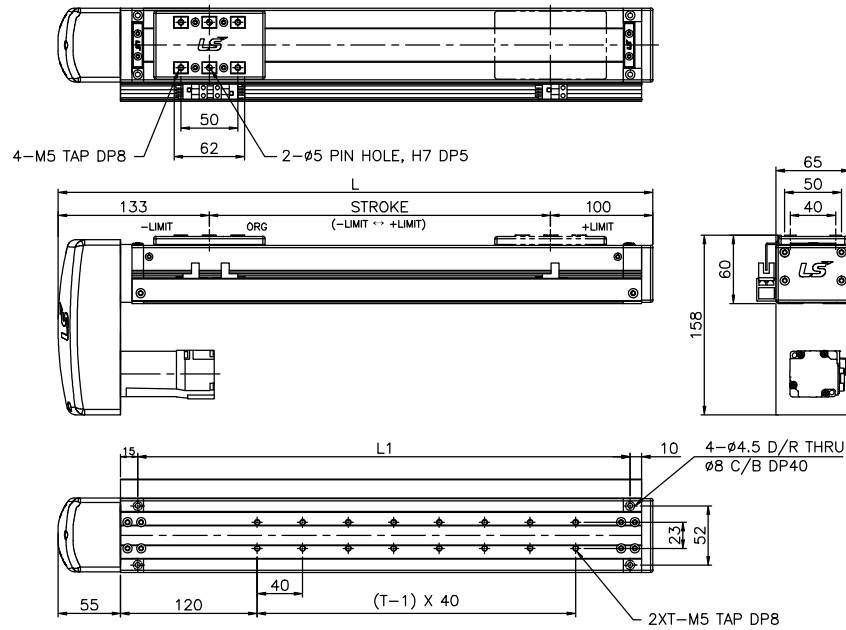
Statically Admissible State



Statically Admissible State[N-m]	MA	MB	MC
	45.7	45.7	171.7

Dimensions

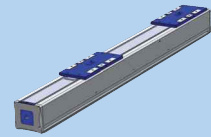
[unit : mm]



Stroke[mm]		50	100	150	200	250	300	350	400	450	500
Weight[kg]		2.2	2.4	2.7	2.9	3.2	3.4	3.7	4.0	4.2	4.5
Max Speed [mm/s]	1205	250									
	1210	500									
	1220	1000									
Body Length [mm]	L	283	333	383	433	483	533	583	633	683	733
	L1	183	233	283	333	383	433	483	533	583	633
	T	5	6	7	8	9	10	11	12	13	14

LC070-A

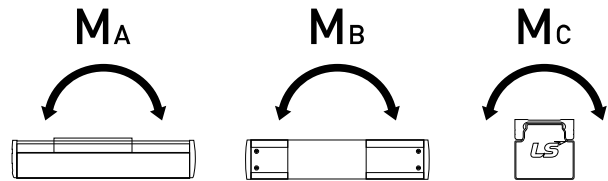
Body Size : 70mm / Stroke : ~1,000mm
Servo Motor : 100W



Specification

Motor Output [W]		100		
LM Guide		NO. 15 (1Rail - 1Block)		
Ball Screw Size/Grade		Ø15 / C7		
Ball Screw Lead [mm]		05	10	20
Rated Speed [mm/sec]		250	500	1000
Maximum Load Capacity [kgf]	Horizontal	15	15	8
	Vertical	9	7	4
Stroke [mm]		~1,000		
Repeatability [mm]		± 0.01		
Color		White / Black		

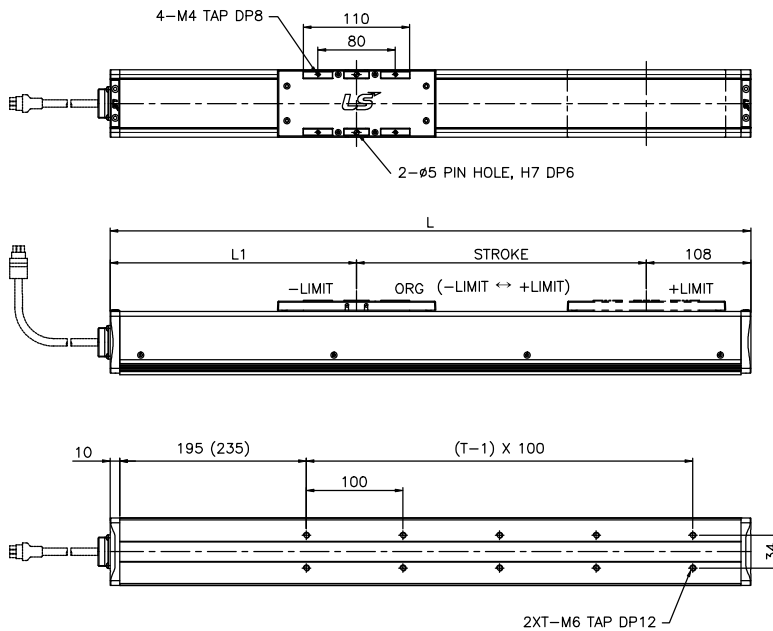
Statically Admissible State



Statically Admissible State [N-m]	MA	MB	MC
	92.5	56.7	113

Dimensions

[unit : mm]



Stroke [mm]		100	200	300	400	500	600	700	800	900	1000	
Weight [kg]		4.1	4.6	5.1	5.6	6.1	6.5	7.1	7.6	8.1	8.6	
Max Speed [mm/s]	1505	250						195	155	130	110	
	1510	500						390	310	260	220	
	1520	1000						780	620	520	440	
Body Length [mm]	Normal	L	465	565	665	765	865	965	1065	1165	1265	1365
		L1	257									
		T	3	4	5	6	7	8	9	10	11	12
	Brake	L	505	605	705	805	905	1005	1105	1205	1305	1405
		L1	297									
		T	3	4	5	6	7	8	9	10	11	12

MS Series

LU Series

MB Series

LB Series

LC Series

LL Series

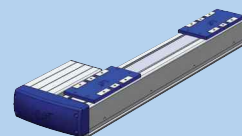
LA Series

LX Series

LT Series

LC070-B

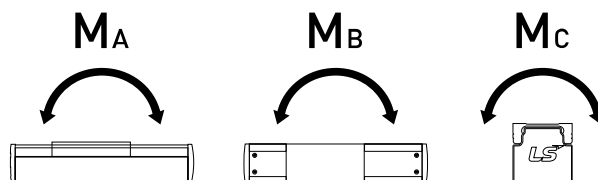
Body Size : 70mm / Stroke : ~1,000mm
Servo Motor : 100W



Specification

Motor Output[W]		100		
LM Guide		NO. 15 (1Rail - 1Block)		
Ball Screw Size/Grade		Ø15 / C7		
Ball Screw Lead[mm]		05	10	20
Rated Speed[mm/sec]		250	500	1000
Maximum Load Capacity[kgf]	Horizontal	15	15	8
	Vertical	9	7	4
Stroke[mm]		~1,000		
Repeatability[mm]		± 0,01		
Color		White / Black		

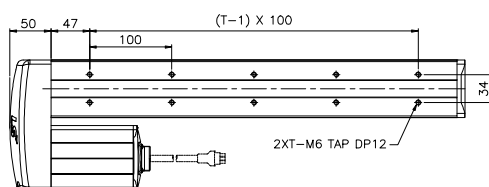
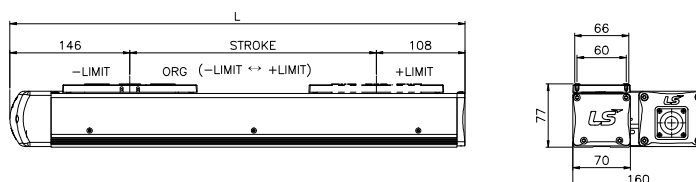
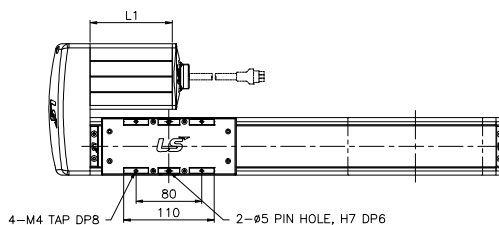
Statically Admissible State



Statically Admissible State[N-m]	MA	MB	MC
	92,5	56,7	113

Dimensions

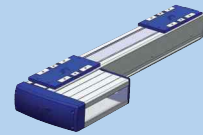
[unit : mm]



Stroke[mm]		100	200	300	400	500	600	700	800	900	1000
Weight[kg]		4.2	4.7	5.2	5.7	6.2	6.6	7.2	7.7	8.2	8.7
Max Speed [mm/s]	1505	250						195	155	130	110
	1510	500						390	310	260	220
	1520	1000						780	620	520	440
Body Length [mm]	L	354	454	554	654	754	854	954	1054	1154	1254
	T	3	4	5	6	7	8	9	10	11	12
	Normal	100									
	Brake	130									

LC070-C

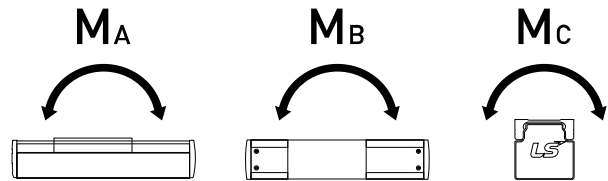
Body Size : 70mm / Stroke : ~1,000mm
 Servo Motor : 100W



Specification

Motor Output [W]		100		
LM Guide		NO. 15 (1Rail - 1Block)		
Ball Screw Size/Grade		Ø15 / C7		
Ball Screw Lead [mm]		05	10	20
Rated Speed [mm/sec]		250	500	1000
Maximum Load Capacity [kgf]	Horizontal	15	15	8
	Vertical	9	7	4
Stroke [mm]		~1,000		
Repeatability [mm]		± 0,01		
Color		White / Black		

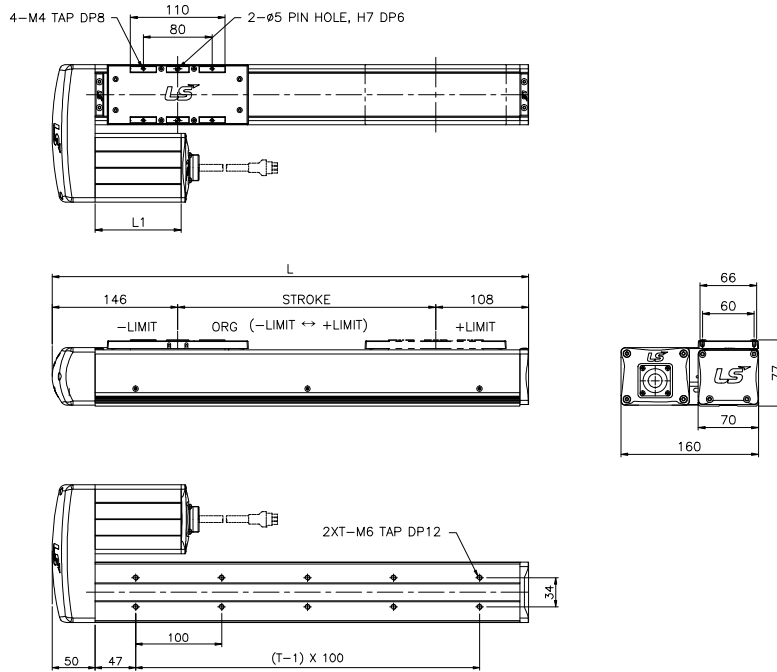
Statically Admissible State



Statically Admissible State [N-m]	MA	MB	MC
	92.5	56.7	113

Dimensions

[unit : mm]



Stroke [mm]		100	200	300	400	500	600	700	800	900	1000	
Weight [kg]		4.2	4.7	5.2	5.7	6.2	6.6	7.2	7.7	8.2	8.7	
Max Speed [mm/s]	1505	250						195	155	130	110	
	1510	500						390	310	260	220	
	1520	1000						780	620	520	440	
Body Length [mm]	L	354	454	554	654	754	854	954	1054	1154	1254	
	T	3	4	5	6	7	8	9	10	11	12	
	Normal	L1	100									
			130									

MS Series

LU Series

MB Series

LB Series

LC Series

LL Series

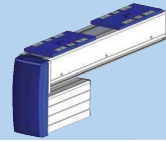
LA Series

LX Series

LT Series

LC070-D

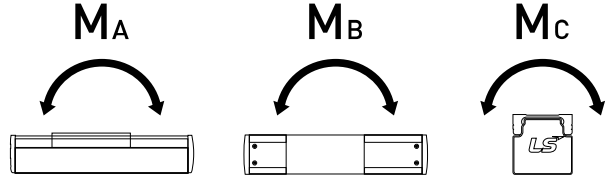
Body Size : 70mm / Stroke : ~1,000mm
Servo Motor : 100W



Specification

Motor Output[W]		100		
LM Guide		NO. 15 (1Rail - 1Block)		
Ball Screw Size/Grade		Ø15 / C7		
Ball Screw Lead[mm]		05	10	20
Rated Speed[mm/sec]		250	500	1000
Maximum Load Capacity[kgf]	Horizontal	15	15	8
	Vertical	9	7	4
Stroke[mm]		~1,000		
Repeatability[mm]		± 0,01		
Color		White / Black		

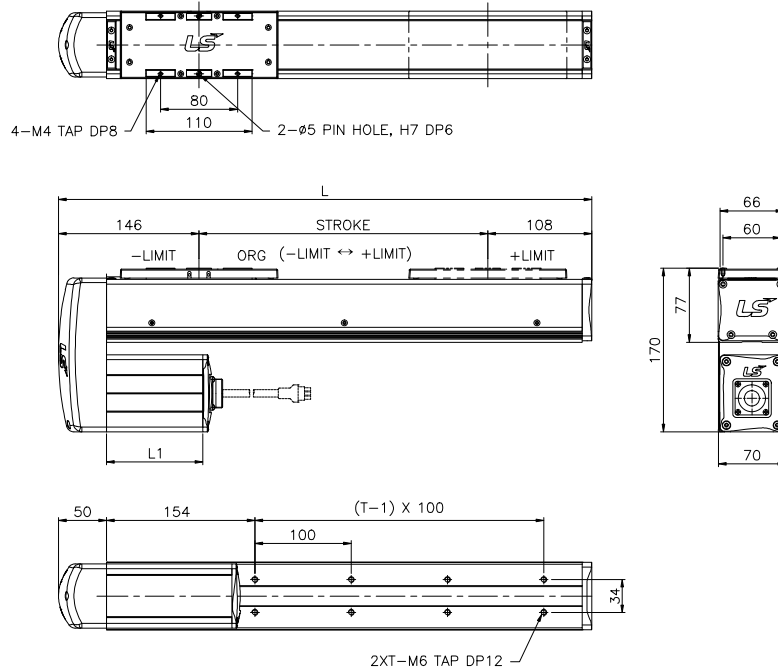
Statically Admissible State



Statically Admissible State[N-m]	MA	MB	MC
	92,5	56,7	113

Dimensions

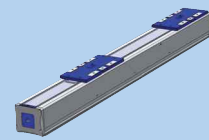
[unit : mm]



Stroke[mm]		100	200	300	400	500	600	700	800	900	1000
Weight[kg]		4.2	4.7	5.2	5.7	6.2	6.6	7.2	7.7	8.2	8.7
Max Speed [mm/s]	1505	250						195	155	130	110
	1510	500						390	310	260	220
	1520	1000						780	620	520	440
Body Length [mm]	L	354	454	554	654	754	854	954	1054	1154	1254
	T	2	3	4	5	6	7	8	9	10	11
	Normal	L1	100								
	Brake		130								

LC090-A

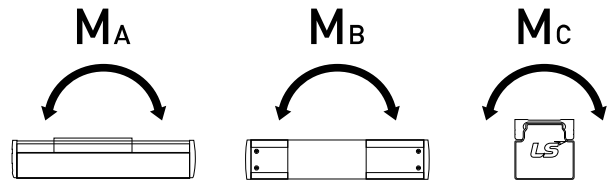
Body Size : 90mm / Stroke : ~1,000mm
 Servo Motor : 100W



○ Specification

Motor Output [W]		100		
LM Guide		NO. 20 (1Rail - 2Block)		
Ball Screw Size/Grade		Ø15 / C7		
Ball Screw Lead [mm]		05	10	20
Rated Speed [mm/sec]		250	500	1000
Maximum Load Capacity [kgf]	Horizontal	25	25	10
	Vertical	10	7	5
Stroke [mm]		~1,000		
Repeatability [mm]		± 0.01		
Color		White / Black		

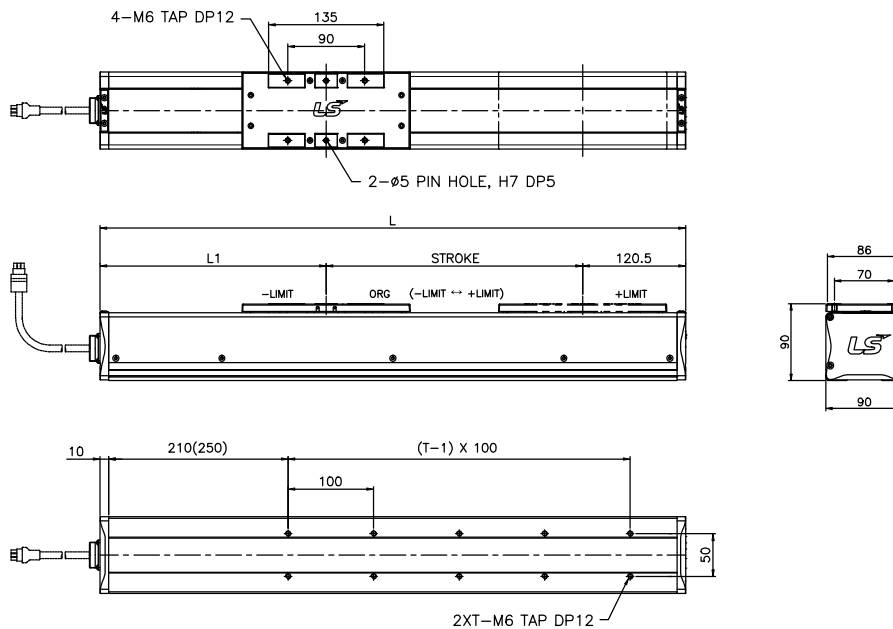
○ Statically Admissible State



Statically Admissible State [N-m]	MA	MB	MC
	146	89.6	194

○ Dimensions

[unit : mm]

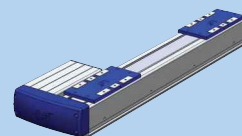


Stroke [mm]		100	200	300	400	500	600	700	800	900	1000	
Weight [kg]		7.5	8.3	9.1	9.9	10.7	11.5	12.3	13.1	13.9	14.7	
Max Speed [mm/s]	1505	250						195	155	130	110	
	1510	500						390	310	260	220	
	1520	1000						780	620	520	440	
Body Length [mm]	Normal	L	485	585	685	785	885	985	1085	1185	1285	1385
		L1	264.5									
		T	3	4	5	6	7	8	9	10	11	12
	Brake	L	525	625	725	825	925	1025	1125	1225	1325	1425
		L1	304.5									
		T	3	4	5	6	7	8	9	10	11	12

- MS Series
- LU Series
- MB Series
- LB Series
- LC Series
- LL Series
- LA Series
- LX Series
- LT Series

LC090-B

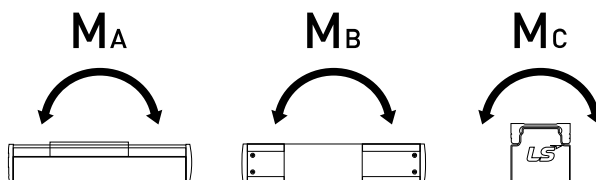
Body Size : 90mm / Stroke : ~1,000mm
 Servo Motor : 100, 200W



Specification

Motor Output[W]		100	200	
LM Guide		NO. 20 (1Rail - 2Block)		
Ball Screw Size/Grade		Ø15 / C7		
Ball Screw Lead[mm]		05	10	20
Rated Speed[mm/sec]		250	500	1000
Maximum Load Capacity[kgf]	Horizontal	25	25	10
	Vertical	10	7	5
Stroke[mm]		~1,000		
Repeatability[mm]		± 0,01		
Color		White / Black		

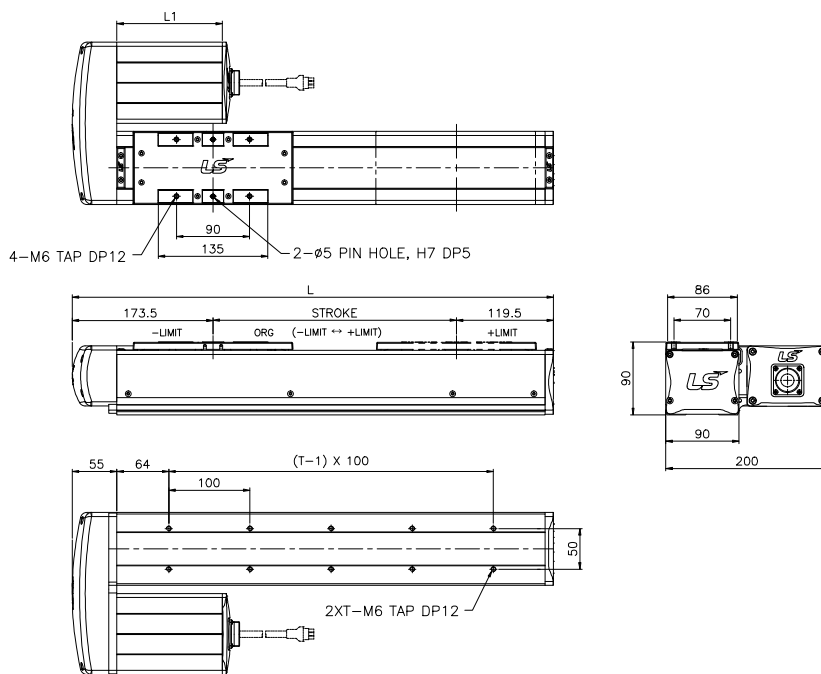
Statically Admissible State



Statically Admissible State[N-m]	MA	MB	MC
	146	89,6	194

Dimensions

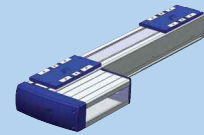
[unit : mm]



Stroke[mm]		100	200	300	400	500	600	700	800	900	1000	
Weight[kg]		7.8	8.6	9.4	10.2	11.0	11.8	12.6	13.4	14.2	15.0	
Max Speed [mm/s]	1505	250						195	155	130	110	
	1510	500						390	310	260	220	
	1520	1000						780	620	520	440	
Body Length [mm]	L	393	493	593	693	793	893	993	1093	1193	1293	
	T	3	4	5	6	7	8	9	10	11	12	
	Normal	L1	100									
			130									

LC090-C

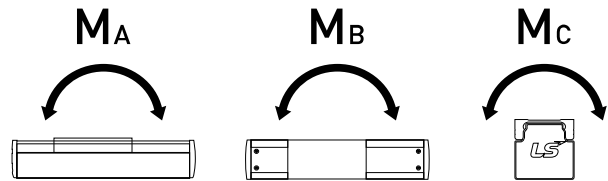
Body Size : 90mm / Stroke : ~1,000mm
 Servo Motor : 100, 200W



Specification

Motor Output[W]	100		200	
LM Guide	NO. 20 (1Rail - 2Block)			
Ball Screw Size/Grade	Ø15 / C7			
Ball Screw Lead[mm]	05	10	20	
Rated Speed[mm/sec]	250	500	1000	
Maximum Load Capacity[kgf]	Horizontal	25	25	10
	Vertical	10	7	5
Stroke[mm]	~1,000			
Repeatability[mm]	± 0,01			
Color	White / Black			

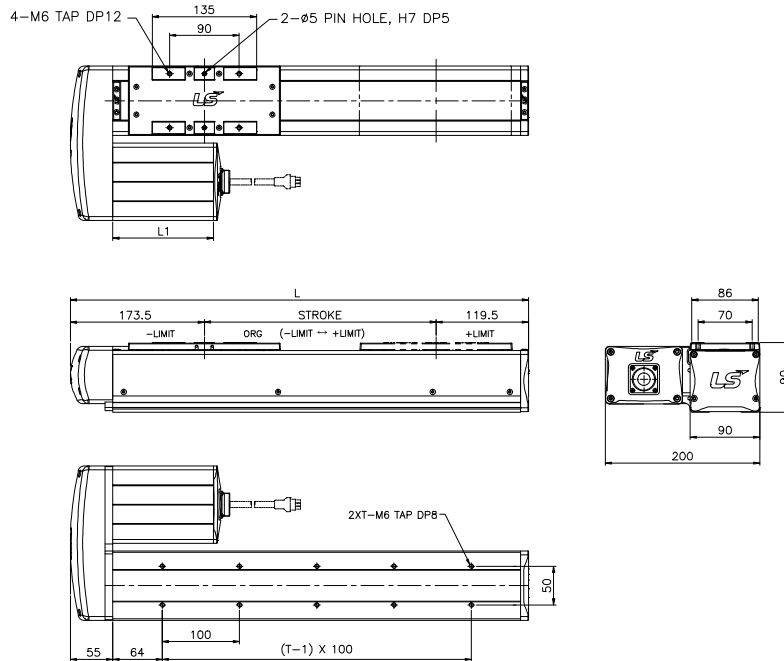
Statically Admissible State



Statically Admissible State[N-m]	MA	MB	MC
	146	89,6	194

Dimensions

[unit : mm]



Stroke[mm]		100	200	300	400	500	600	700	800	900	1000	
Weight[kg]		7.8	8.6	9.4	10.2	11.0	11.8	12.6	13.4	14.2	15.0	
Max Speed [mm/s]	1505	250						195	155	130	110	
	1510	500						390	310	260	220	
	1520	1000						780	620	520	440	
Body Length [mm]	L	393	493	593	693	793	893	993	1093	1193	1293	
	T	3	4	5	6	7	8	9	10	11	12	
	Normal	L1	100									
			130									

MS Series

LU Series

MB Series

LB Series

LC Series

LL Series

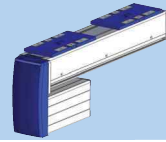
LA Series

LX Series

LT Series

LC090-D

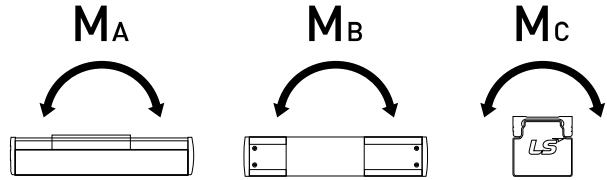
Body Size : 90mm / Stroke : ~1,000mm
 Servo Motor : 100, 200W



Specification

Motor Output[W]		100	200	
LM Guide		NO. 20 (1Rail - 2Block)		
Ball Screw Size/Grade		Ø15 / C7		
Ball Screw Lead[mm]		05	10	20
Rated Speed[mm/sec]		250	500	1000
Maximum Load Capacity[kgf]	Horizontal	25	25	10
	Vertical	10	7	5
Stroke[mm]		~1,000		
Repeatability[mm]		± 0,01		
Color		White / Black		

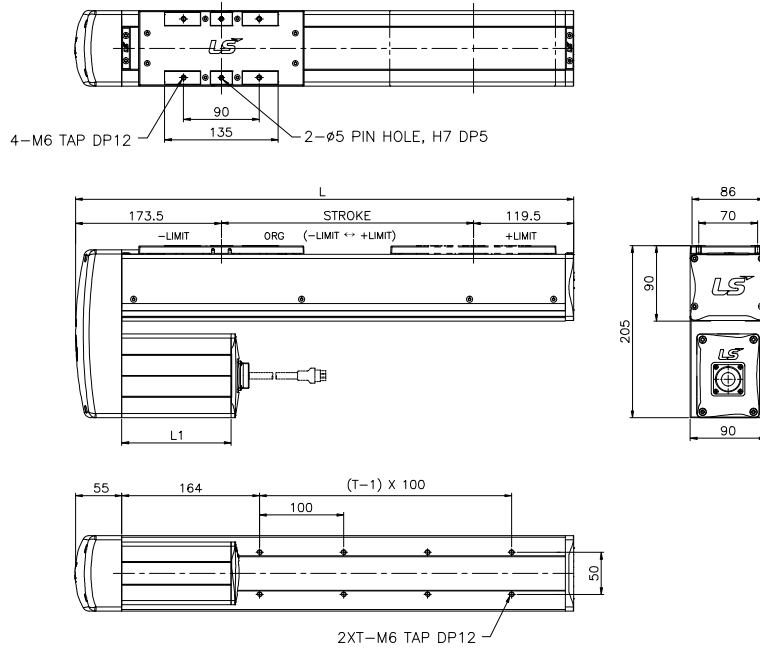
Statically Admissible State



Statically Admissible State[N-m]	MA	MB	MC
	146	89,6	194

Dimensions

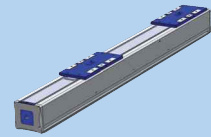
[unit : mm]



Stroke[mm]		100	200	300	400	500	600	700	800	900	1000
Weight[kg]		7.8	8.6	9.4	10.2	11.0	11.8	12.6	13.4	14.2	15.0
Max Speed [mm/s]	1505	250						195	155	130	110
	1510	500						390	310	260	220
	1520	1000						780	620	520	440
Body Length [mm]	L	393	493	593	693	793	893	993	1093	1193	1293
	T	2	3	4	5	6	7	8	9	10	11
	Normal	100									
	Brake	130									

LC120-A

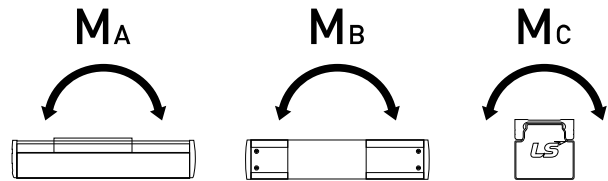
Body Size : 120mm / Stroke : ~1,200mm
 Servo Motor : 200, 400W



Specification

Motor Output [W]	200		400	
LM Guide	NO. 15 (2Rail - 4Block)			
Ball Screw Size / Grade	Ø15 / C7			
Ball Screw Lead [mm]	05	10	20	
Rated Speed [mm/sec]	250	500	1000	
Maximum Load Capacity [kgf]	Horizontal	50	50	30
	Vertical	40	21	9
Stroke [mm]	~1,200			
Repeatability [mm]	± 0.01			
Color	White / Black			

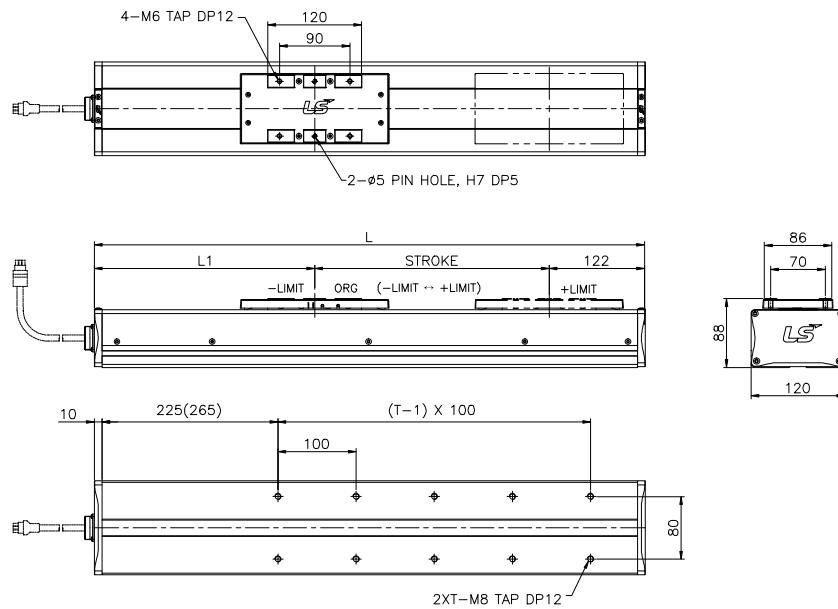
Statically Admissible State



Statically Admissible State [N-m]	MA	MB	MC
	825	513	226

Dimensions

[unit : mm]

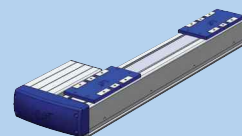


Stroke [mm]		100	200	300	400	500	600	700	800	900	1000	1100	1200	
Weight [kg]		9.5	10.7	11.9	13.1	14.3	15.5	16.7	17.9	19.1	20.3	21.6	22.9	
Max Speed [mm/s]	1505	250						195	155	130	110	90	80	
	1510	500						390	310	260	220	180	160	
	1520	1000						780	620	520	440	370	320	
Body Length [mm]	200W	L	510	610	710	810	910	1010	1110	1210	1310	1410	1610	1710
		L1	288 (328) () : Brake											
		T	3	4	5	6	7	8	9	10	11	12	13	14
	400W	L	550	650	750	850	950	1050	1150	1250	1350	1450	1550	1650
		L1	328 (368) () : Brake											
		T	3	4	5	6	7	8	9	10	11	12	13	14

※ Brake Type의 전장 길이 L은 +40mm 됩니다.

LC120-B

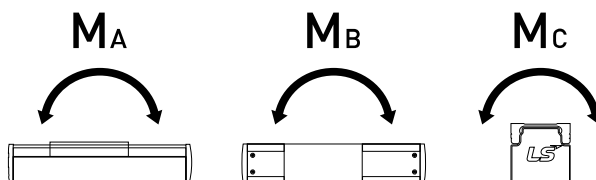
Body Size : 120mm / Stroke : ~1,200mm
Servo Motor : 200, 400W



Specification

Motor Output[W]		200	400	
LM Guide		NO. 15 (2Rail - 4Block)		
Ball Screw Size/Grade		Ø15 / C7		
Ball Screw Lead[mm]		05	10	20
Rated Speed[mm/sec]		250	500	1000
Maximum Load Capacity[kgf]	Horizontal	50	50	30
	Vertical	40	21	9
Stroke[mm]		~1,200		
Repeatability[mm]		± 0.01		
Color		White / Black		

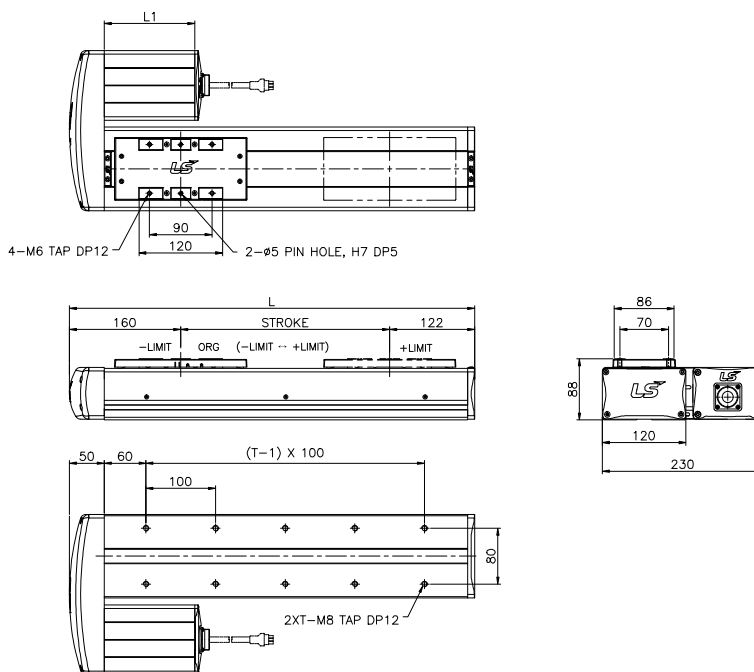
Statically Admissible State



Statically Admissible State[N-m]	MA	MB	MC
	825	513	226

Dimensions

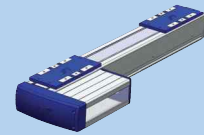
[unit : mm]



Stroke[mm]		100	200	300	400	500	600	700	800	900	1000	1100	1200	
Weight[kg]		9.5	10.7	11.9	13.1	14.3	15.5	16.7	17.9	19.1	20.3	21.6	22.9	
Max Speed [mm/s]	1505	250						195	155	130	110	90	80	
	1510	500						390	310	260	220	180	160	
	1520	1000						780	620	520	440	370	320	
Body Length [mm]	L	382	482	582	682	782	982	1082	1182	1282	1382	1482	1582	
	T	3	4	5	6	7	8	9	10	11	12	13	14	
	Normal	L1	100 (130)						() : 400W Motor					
	Brake		130 (150)						() : 400W Motor					

LC120-C

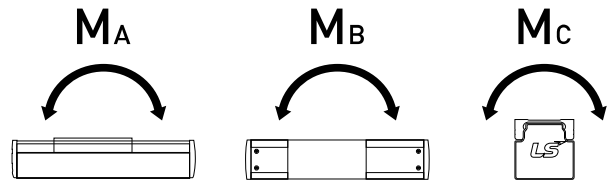
Body Size : 120mm / Stroke : ~1,200mm
 Servo Motor : 200, 400W



Specification

Motor Output[W]	200		400	
LM Guide	NO. 15 (2Rail - 4Block)			
Ball Screw Size/Grade	Ø15 / C7			
Ball Screw Lead[mm]	05	10	20	
Rated Speed[mm/sec]	250	500	1000	
Maximum Load Capacity[kgf]	Horizontal	50	50	30
	Vertical	40	21	9
Stroke[mm]	~1,200			
Repeatability[mm]	± 0.01			
Color	White / Black			

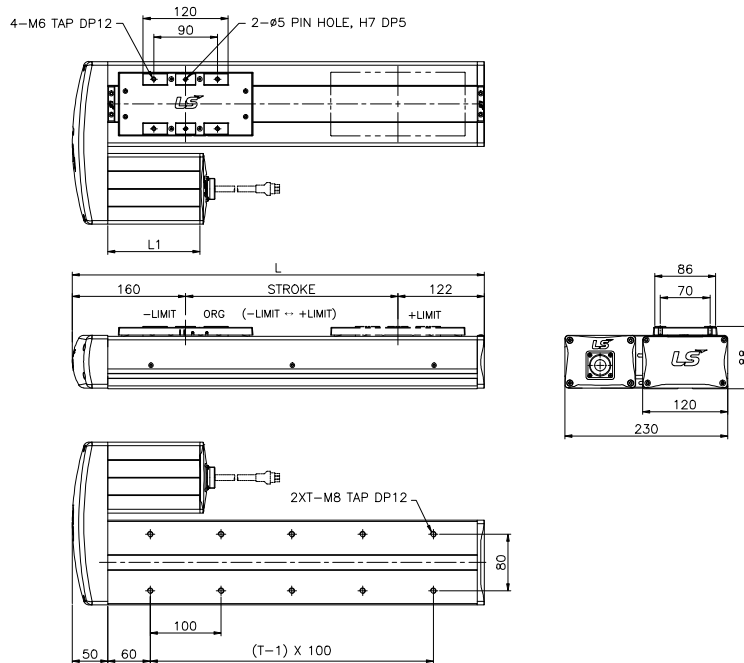
Statically Admissible State



Statically Admissible State[N-m]	MA	MB	MC
	825	513	226

Dimensions

[unit : mm]



Stroke[mm]		100	200	300	400	500	600	700	800	900	1000	1100	1200	
Weight[kg]		9.5	10.7	11.9	13.1	14.3	15.5	16.7	17.9	19.1	20.3	21.6	22.9	
Max Speed [mm/s]	1505	250						195	155	130	110	90	80	
	1510	500						390	310	260	220	180	160	
	1520	1000						780	620	520	440	370	320	
Body Length [mm]	L	382	482	582	682	782	982	1082	1182	1282	1382	1482	1582	
	T	3	4	5	6	7	8	9	10	11	12	13	14	
	Normal	L1	100 (130)						() : 400W Motor					
			130 (150)						() : 400W Motor					

MS Series

LU Series

MB Series

LB Series

LC Series

LL Series

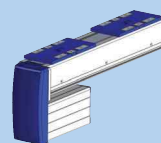
LA Series

LX Series

LT Series

LC120-D

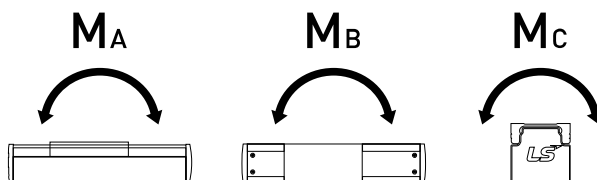
Body Size : 120mm / Stroke : ~1,200mm
 Servo Motor : 200, 400W



Specification

Motor Output[W]	200		400	
LM Guide	NO. 15 (2Rail - 4Block)			
Ball Screw Size/Grade	Ø15 / C7			
Ball Screw Lead[mm]	05	10	20	
Rated Speed[mm/sec]	250	500	1000	
Maximum Load Capacity[kgf]	Horizontal	50	50	30
	Vertical	40	21	9
Stroke[mm]	~1,200			
Repeatability[mm]	± 0.01			
Color	White / Black			

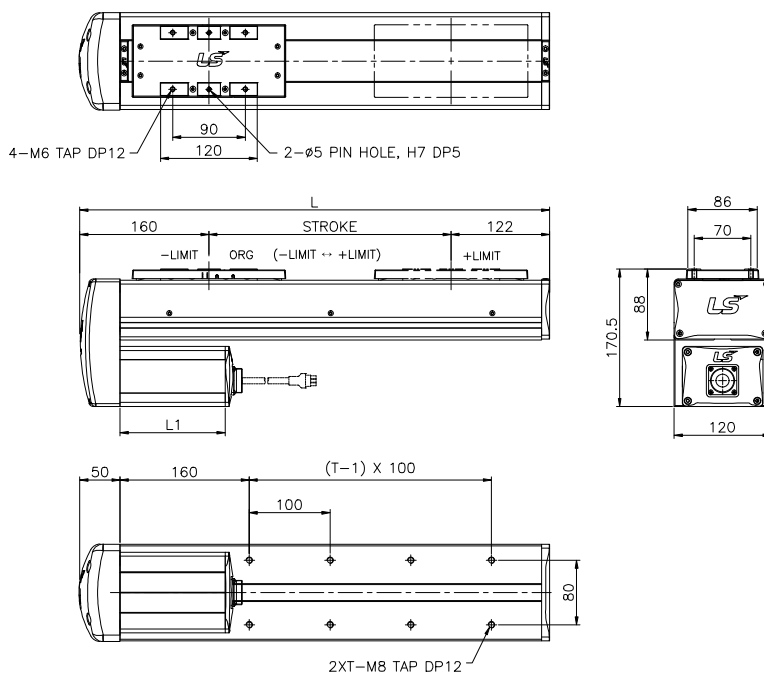
Statically Admissible State



Statically Admissible State[N-m]	MA	MB	MC
	825	513	226

Dimensions

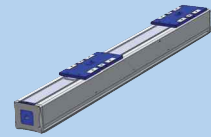
[unit : mm]



Stroke[mm]		100	200	300	400	500	600	700	800	900	1000	1100	1200	
Weight[kg]		9.5	10.7	11.9	13.1	14.3	15.5	16.7	17.9	19.1	20.3	21.6	22.9	
Max Speed [mm/s]	1505	250						195	155	130	110	90	80	
	1510	500						390	310	260	220	180	160	
	1520	1000						780	620	520	440	370	320	
Body Length [mm]	L	382	482	582	682	782	982	1082	1182	1282	1382	1482	1582	
	T	3	4	5	6	7	8	9	10	11	12	13	14	
	Normal	L1	100 (130)						() : 400W Motor					
	Brake		130 (150)						() : 400W Motor					

LC140-A

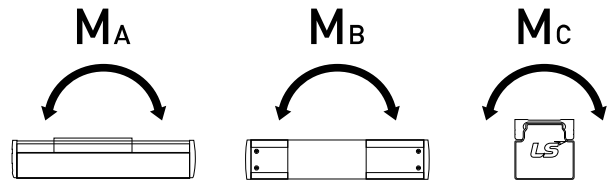
Body Size : 140mm / Stroke : ~1,200mm
 Servo Motor : 200, 400W



Specification

Motor Output [W]		200	400	
LM Guide		NO. 15 (2Rail - 4Block)		
Ball Screw Size / Grade		Ø15 / C7		
Ball Screw Lead [mm]		05	10	20
Rated Speed [mm/sec]		250	500	1000
Maximum Load Capacity [kgf]	Horizontal	50	50	30
	Vertical	40	21	9
Stroke [mm]		~1,200		
Repeatability [mm]		± 0.01		
Color		White / Black		

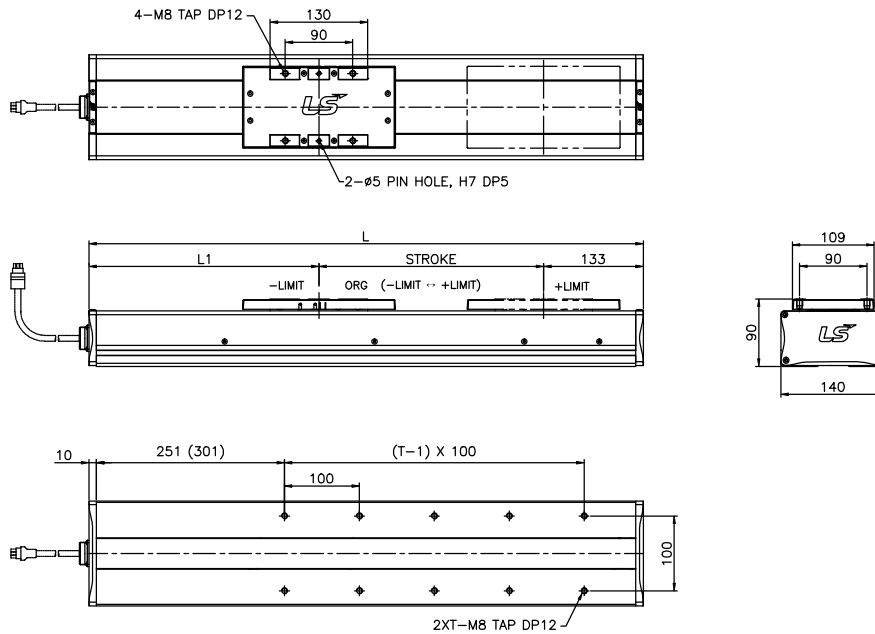
Statically Admissible State



Statically Admissible State [N-m]	MA	MB	MC
	825	513	250

Dimensions

[unit : mm]

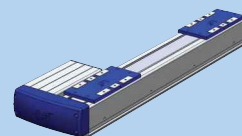


Stroke [mm]		100	200	300	400	500	600	700	800	900	1000	1100	1200	
Weight [kg]		10.1	11.4	12.7	14.0	15.3	16.6	17.9	19.2	20.5	21.8	23.1	24.4	
Max Speed [mm/s]	1505	250						195	155	130	110	90	80	
	1510	500						390	310	260	220	180	160	
	1520	1000						780	620	520	440	370	320	
Body Length [mm]	200W	L	540	640	740	840	940	1040	1140	1240	1340	1440	1540	1640
		L1	307 (347) () : Brake											
		T	3	4	5	6	7	8	9	10	11	12	13	14
	400W	L	580	680	780	880	980	1080	1180	1280	1380	1480	1580	1680
		L1	357 (397) () : Brake											
		T	3	4	5	6	7	8	9	10	11	12	13	14

※ Brake Type의 전장 길이 L은 +40mm 됩니다.

LC140-B

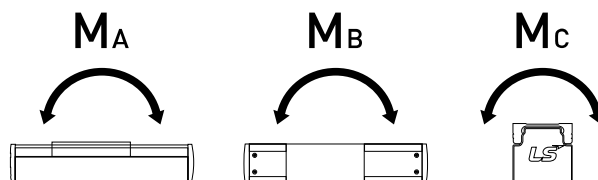
Body Size : 140mm / Stroke : ~1,200mm
 Servo Motor : 200, 400W



Specification

Motor Output[W]		200	400	
LM Guide		NO. 15 (2Rail - 4Block)		
Ball Screw Size/Grade		Ø15 / C7		
Ball Screw Lead[mm]		05	10	20
Rated Speed[mm/sec]		250	500	1000
Maximum Load Capacity[kgf]	Horizontal	50	50	30
	Vertical	40	21	9
Stroke[mm]		~1,200		
Repeatability[mm]		± 0.01		
Color		White / Black		

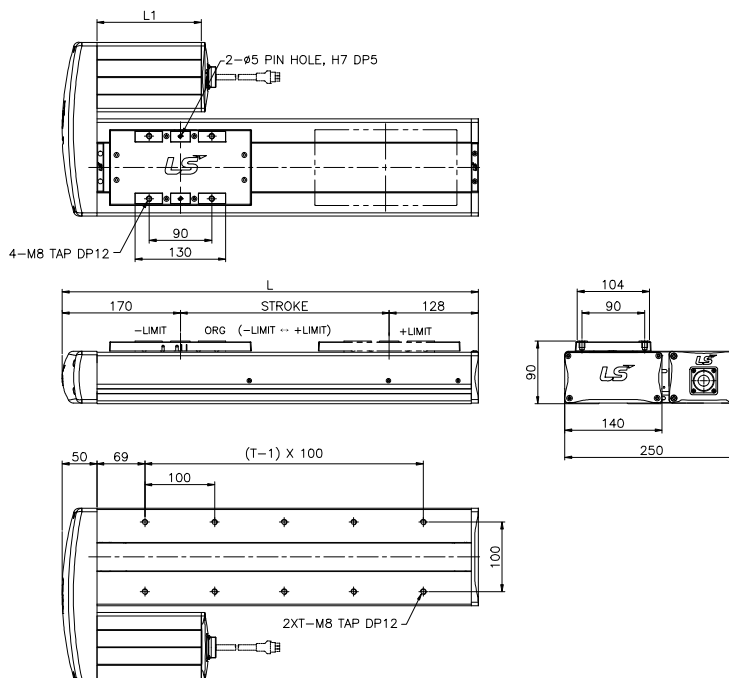
Statically Admissible State



Statically Admissible State[N·m]	MA	MB	MC
	825	513	250

Dimensions

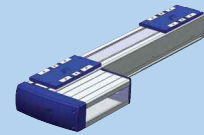
[unit : mm]



Stroke[mm]		100	200	300	400	500	600	700	800	900	1000	1100	1200	
Weight[kg]		9.1	10.4	11.7	13.0	14.3	15.6	16.9	18.2	19.5	20.8	22.1	23.4	
Max Speed [mm/s]	1505	250						195	155	130	110	90	80	
	1510	500						390	310	260	220	180	160	
	1520	1000						780	620	520	440	370	320	
Body Length [mm]	L	398	498	598	698	798	898	998	1098	1198	1298	1398	1498	
	T	3	4	5	6	7	8	9	10	11	12	13	14	
	Normal	L1	100 (130)						() : 400W Motor					
			130 (150)						() : 400W Motor					

LC140-C

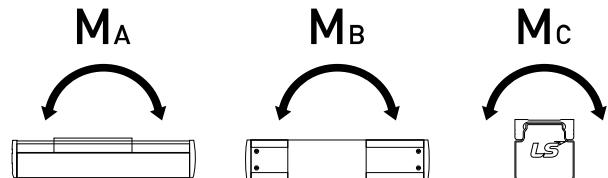
Body Size : 140mm / Stroke : ~1,200mm
 Servo Motor : 200, 400W



Specification

Motor Output[W]	200		400	
LM Guide	NO. 15 (2Rail - 4Block)			
Ball Screw Size/Grade	Ø15 / C7			
Ball Screw Lead[mm]	05	10	20	
Rated Speed[mm/sec]	250	500	1000	
Maximum Load Capacity[kgf]	Horizontal	50	50	30
	Vertical	40	21	9
Stroke[mm]	~1,200			
Repeatability[mm]	± 0,01			
Color	White / Black			

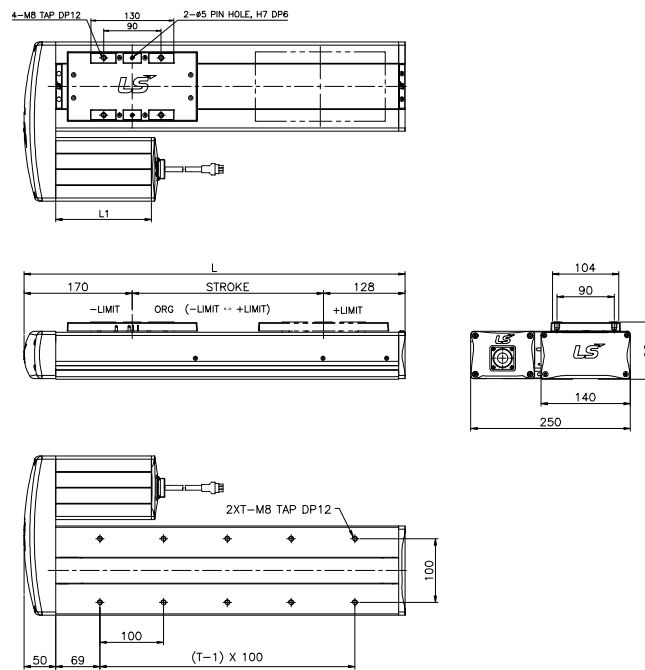
Statically Admissible State



Statically Admissible State[N-m]	MA	MB	MC
	825	513	250

Dimensions

[unit : mm]



Stroke[mm]		100	200	300	400	500	600	700	800	900	1000	1100	1200	
Weight[kg]		9.1	10.4	11.7	13.0	14.3	15.6	16.9	18.2	19.5	20.8	22.1	23.4	
Max Speed [mm/s]	1505	250						195	155	130	110	90	80	
	1510	500						390	310	260	220	180	160	
	1520	1000						780	620	520	440	370	320	
Body Length [mm]	L	398	498	598	698	798	898	998	1098	1198	1298	1398	1498	
	T	3	4	5	6	7	8	9	10	11	12	13	14	
	Normal	L1	100 (130)						() : 400W Motor					
			130 (150)						() : 400W Motor					

MS Series

LU Series

MB Series

LB Series

LC Series

LL Series

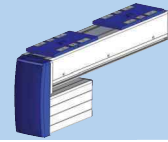
LA Series

LX Series

LT Series

LC140-D

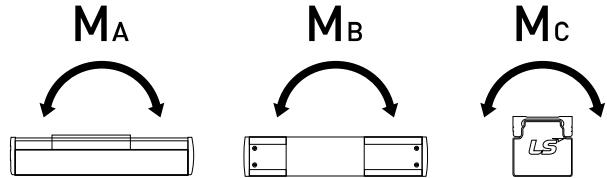
Body Size : 140mm / Stroke : ~1,200mm
 Servo Motor : 200, 400W



Specification

Motor Output[W]		200	400	
LM Guide		NO. 15 (2Rail - 4Block)		
Ball Screw Size/Grade		Ø15 / C7		
Ball Screw Lead[mm]		05	10	20
Rated Speed[mm/sec]		250	500	1000
Maximum Load Capacity[kgf]	Horizontal	50	50	30
	Vertical	40	21	9
Stroke[mm]		~1,200		
Repeatability[mm]		± 0.01		
Color		White / Black		

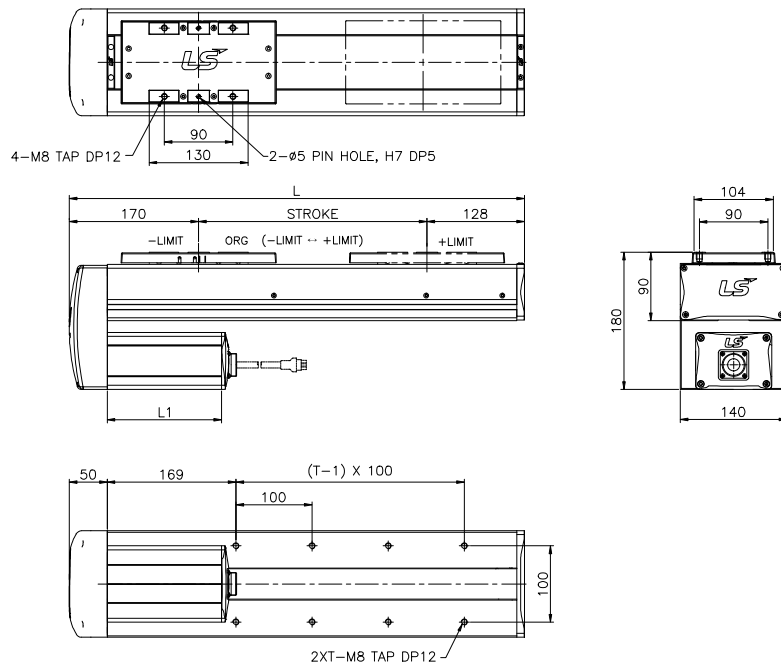
Statically Admissible State



Statically Admissible State[N·m]	MA	MB	MC
	825	513	250

Dimensions

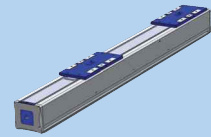
[unit : mm]



Stroke[mm]		100	200	300	400	500	600	700	800	900	1000	1100	1200	
Weight[kg]		9.1	10.4	11.7	13.0	14.3	15.6	16.9	18.2	19.5	20.8	22.1	23.4	
Max Speed [mm/s]	1505	250						195	155	130	110	90	80	
	1510	500						390	310	260	220	180	160	
	1520	1000						780	620	520	440	370	320	
Body Length [mm]	L	398	498	598	698	798	898	998	1098	1198	1298	1398	1498	
	T	3	4	5	6	7	8	9	10	11	12	13	14	
	Normal							100 (130)		() : 400W Motor				
	Brake							130 (150)		() : 400W Motor				

LC180-A

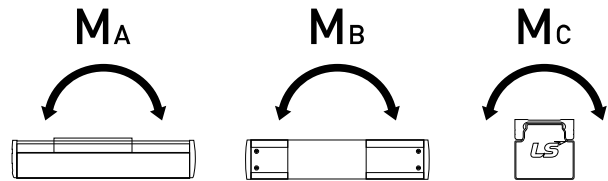
Body Size : 180mm / Stroke : ~1,500mm
 Servo Motor : 400, 750W



Specification

Motor Output [W]		400	750	
LM Guide		NO. 20 (2Rail - 4Block)		
Ball Screw Size / Grade		Ø20 / C7		
Ball Screw Lead [mm]		05	10	20
Rated Speed [mm / sec]		250	500	1000
Maximum Load Capacity [kgf]	Horizontal	86	80	50
	Vertical	48	32	18
Stroke [mm]		~1,500		
Repeatability [mm]		± 0,01		
Color		White / Black		

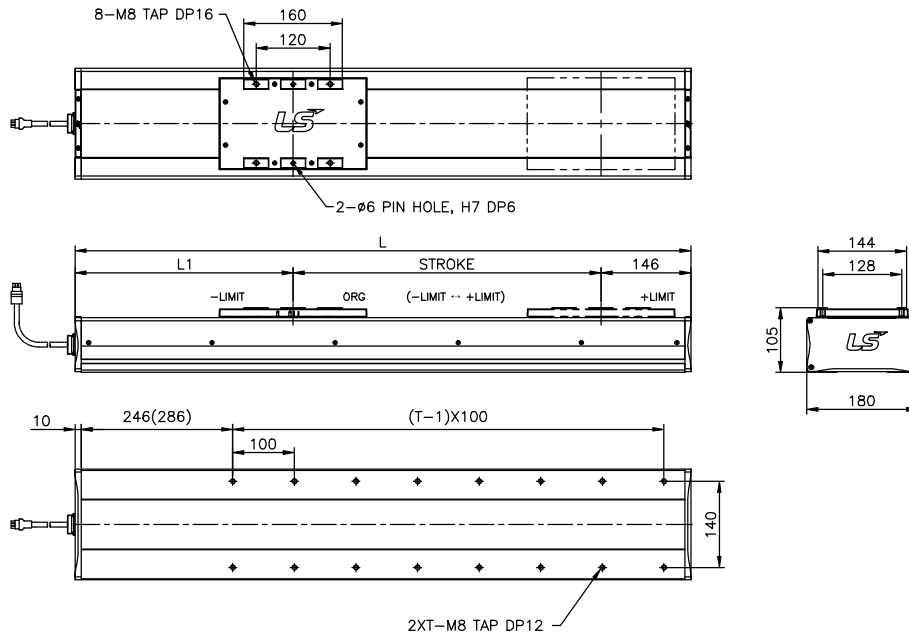
Statically Admissible State



Statically Admissible State [N-m]	MA	MB	MC
	1244	778	338

Dimensions

[unit : mm]



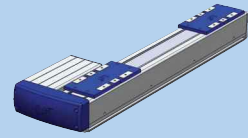
Stroke [mm]		100	200	300	400	500	600	700	800	900	1000	1100	1200	1300	1400	1500	
Weight [kg]		19.4	21.4	23.4	25.4	27.4	29.4	31.4	33.4	35.4	37.4	39.4	41.4	43.4	45.4	47.4	
Max Speed [mm/s]	2005	250						195	155	130	110	90	80	70	60	50	
	2010	500						390	310	260	220	180	160	140	120	110	
	2020	1000						780	620	520	440	370	320	280	240	220	
Body Length [mm]	Normal	L	600	700	800	900	1000	1100	1200	1300	1400	1500	1600	1700	1800	1900	2000
		L1	354 (394) () : Brake														
	Brake	L	640	740	840	940	1040	1140	1240	1340	1440	1540	1640	1740	1840	1940	2040
		L1	394 (434) () : Brake														
	T	4	5	6	7	8	9	10	11	12	13	14	15	16	17	18	

※ Brake Type의 전장 길이 L은 +40mm 됩니다.

- MS Series
- LU Series
- MB Series
- LB Series
- LC Series
- LL Series
- LA Series
- LX Series
- LT Series

LC180-B

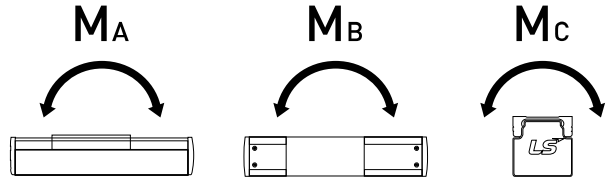
Body Size : 180mm / Stroke : ~1,500mm
 Servo Motor : 400, 750W



Specification

Motor Output[W]	400		750	
LM Guide	NO. 20 (2Rail - 4Block)			
Ball Screw Size/Grade	Ø20 / C7			
Ball Screw Lead[mm]	05	10	20	
Rated Speed[mm/sec]	250	500	1000	
Maximum Load Capacity[kgf]	Horizontal	86	80	50
	Vertical	48	32	18
Stroke[mm]	~1,500			
Repeatability[mm]	±0.01			
Color	White / Black			

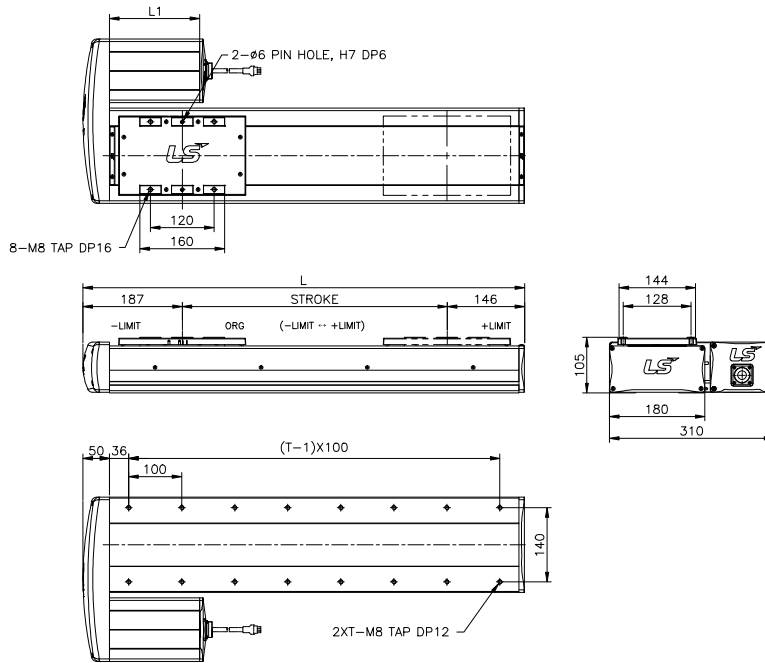
Statically Admissible State



Statically Admissible State[N-m]	MA	MB	MC
	1244	778	338

Dimensions

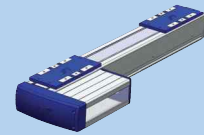
[unit : mm]



Stroke[mm]			100	200	300	400	500	600	700	800	900	1000	1100	1200	1300	1400	1500
Weight[kg]			20	22	24	26	28	30	32	34	36	38	40	42	44	46	48
Max Speed [mm/s]	2005		250						195	155	130	110	90	80	70	60	50
	2010		500						390	310	260	220	180	160	140	120	110
	2020		1000						780	620	520	440	370	320	280	240	220
Body Length [mm]	Normal	L	432	532	632	732	832	932	1032	1132	1232	1332	1432	1532	1632	1732	1832
		T	4	5	6	7	8	9	10	11	12	13	14	15	16	17	18
	Brake	L1							130 (170)			() : 750W Motor					
									150 (190)			() : 750W Motor					

LC180-C

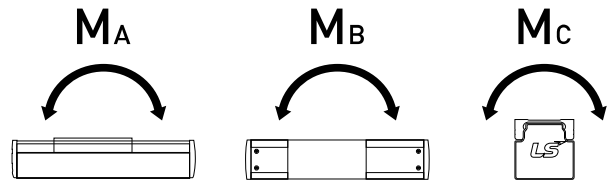
Body Size : 180mm / Stroke : ~1,500mm
 Servo Motor : 400, 750W



Specification

Motor Output[W]	400		750	
LM Guide	NO. 20 (2Rail - 4Block)			
Ball Screw Size/Grade	Ø20 / C7			
Ball Screw Lead[mm]	05	10	20	
Rated Speed[mm/sec]	250	500	1000	
Maximum Load Capacity[kgf]	Horizontal	86	80	50
	Vertical	48	32	18
Stroke[mm]	~1,500			
Repeatability[mm]	± 0,01			
Color	White / Black			

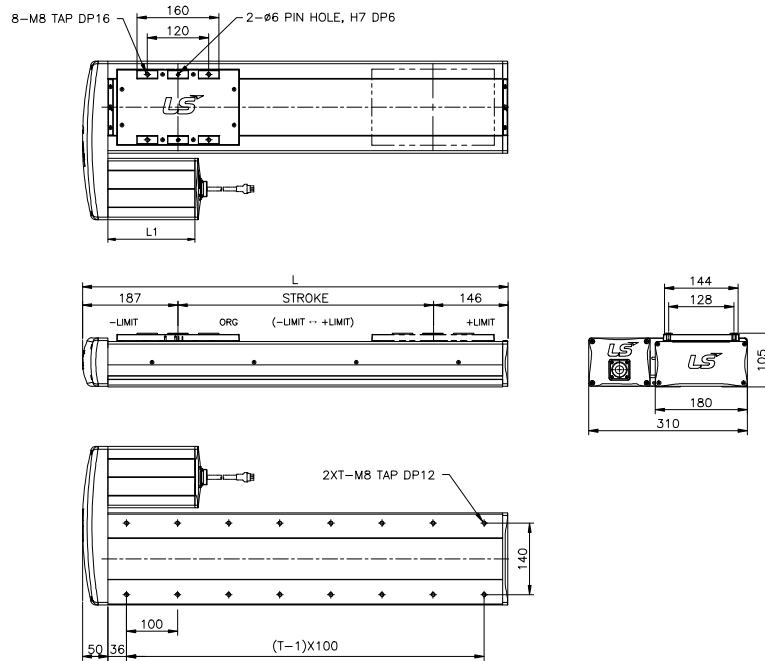
Statically Admissible State



Statically Admissible State[N-m]	MA	MB	MC
	1244	778	338

Dimensions

[unit : mm]



Stroke[mm]		100	200	300	400	500	600	700	800	900	1000	1100	1200	1300	1400	1500	
Weight[kg]		20	22	24	26	28	30	32	34	36	38	40	42	44	46	48	
Max Speed [mm/s]	2005	250						195	155	130	110	90	80	70	60	50	
	2010	500						390	310	260	220	180	160	140	120	110	
	2020	1000						780	620	520	440	370	320	280	240	220	
Body Length [mm]	Normal	L	432	532	632	732	832	932	1032	1132	1232	1332	1432	1532	1632	1732	1832
		T	4	5	6	7	8	9	10	11	12	13	14	15	16	17	18
	Brake	L1							130 (170)			() : 750W Motor					
							150 (190)			() : 750W Motor							

MS Series

LU Series

MB Series

LB Series

LC Series

LL Series

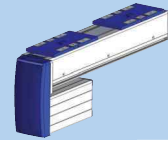
LA Series

LX Series

LT Series

LC180-D

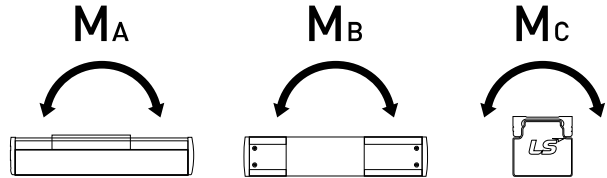
Body Size : 180mm / Stroke : ~1,500mm
 Servo Motor : 400, 750W



Specification

Motor Output[W]		400	750	
LM Guide		NO. 20 (2Rail - 4Block)		
Ball Screw Size/Grade		Ø20 / C7		
Ball Screw Lead[mm]		05	10	20
Rated Speed[mm/sec]		250	500	1000
Maximum Load Capacity[kgf]	Horizontal	86	80	50
	Vertical	48	32	18
Stroke[mm]		~1,500		
Repeatability[mm]		± 0,01		
Color		White / Black		

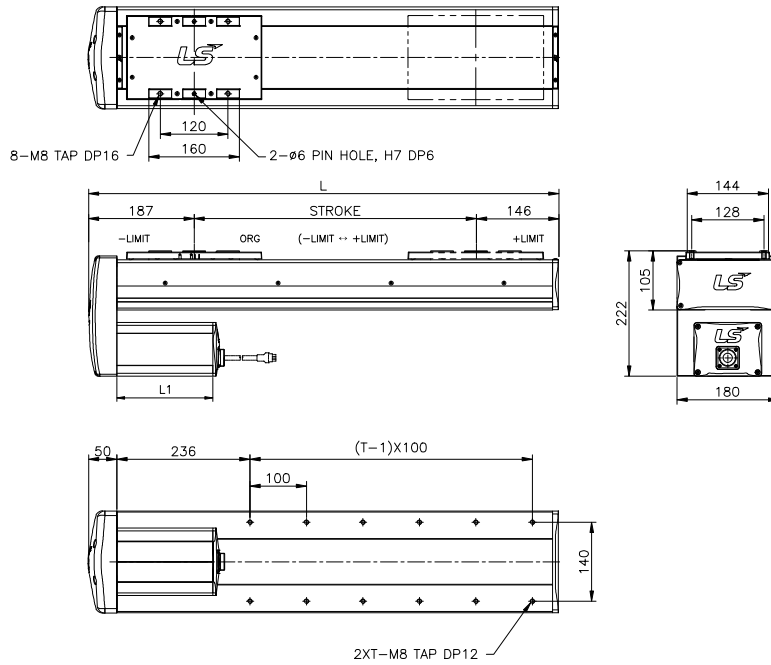
Statically Admissible State



Statically Admissible State[N-m]	MA	MB	MC
	1244	778	338

Dimensions

[unit : mm]



Stroke[mm]		100	200	300	400	500	600	700	800	900	1000	1100	1200	1300	1400	1500	
Weight[kg]		20	22	24	26	28	30	32	34	36	38	40	42	44	46	48	
Max Speed [mm/s]	2005	250						195	155	130	110	90	80	70	60	50	
	2010	500						390	310	260	220	180	160	140	120	110	
	2020	1000						780	620	520	440	370	320	280	240	220	
Body Length [mm]	Normal	L	432	532	632	732	832	932	1032	1132	1232	1332	1432	1532	1632	1732	1832
		T	2	3	4	5	6	7	8	9	10	11	12	13	14	15	16
	Brake	L1							130 (170)			() : 750W Motor					
									150 (190)			() : 750W Motor					

○ 안전상의 주의사항

당사 제품을 안전하고 올바르게 사용하여 자신 및 타인에게 발생할 수 있는 위험을 미연에 방지하기 위한 것입니다. 제품을 선정하거나 사용하기 전에 안전상의 주의사항을 주의 깊게 읽으시기 바랍니다. 주의사항은 취급 부주의로 인하여 발생할 수 있는 인체에 대한 위해 및 재산상의 손실 크기에 따라 표시하며 '위험', '주의'로 구분하고 있으므로 반드시 숙지하여 주십시오.

위험 (Danger)

- 확실한 위험 상태로 만약 명기된 위험을 피하지 않으면 사망, 또는 중상을 입을 가능성이 있는 것, 또는 재산상의 손상이나 손실의 가능성이 있는 것.

경고 (Warning)

- 현재는 위험하지 않지만 상황에 따라 위험한 상태로 피하지 않으면 사망 또는 중상을 입을 가능성이 있는 것, 또는 재산상의 손상이나 손실의 가능성이 있는 것.

주의 (Caution)

- 현재는 위험하지 않지만 상황에 따라 위험한 상태로 피하지 않으면 사망 또는 중상을 입을 가능성이 있는 것, 또는 재산상의 손상이나 손실의 가능성이 있는 것.
- 이 제품은 일반 산업기계에서 사용하기 위한 부품으로 설계되고 제작되었습니다. 어떤 제품을 사용하거나 기기를 선택하기 전, 항상 안전상 주의사항, 카달로그, 매뉴얼 등을 읽어주십시오.
- 만약 다른 사람에게 교환이나 대여를 할 때는 새로운 사용자가 안전하고 적절하게 그 제품을 사용할 수 있도록 제품의 보기 쉬운 곳에 항상 매뉴얼 등을 부착하십시오.
- 이러한 안전상 주의사항 내에 표기된 위험, 경고, 주의 항목이 모든 상황을 다 나타내는 것은 아니므로, 카달로그와 사용자 매뉴얼을 주의 깊게 읽어, 발생할 수 있는 만약의 경우까지 대비하여 항상 안전을 최우선으로 하여 주십시오.

※ 다음과 같은 환경에서는 사용하지 마십시오. 단, 제품에 따라 사용 가능한 경우도 있으므로, 각 제품의 사양, 조건 등을 참조하여 안전대책을 고려하여 사용에 주십시오.

- 각 제품마다 기재되어 있는 사양, 조건이외의 사용
- 옥외에서의 사용
- 과도한 진동 및 충격이 가해지는 장소에서의 사용
- 부식성 Gas, 인화성 Gas, 화학약품, 해수, 물, 수증기의 조건 또는 그런 것들이 부착되는 장소에서의 사용
- 사람이나 재산에 막대한 영향이 예상되며, 특히 안전이 요구되는 용도에서의 사용
- 원자력, 철도, 항공설비, 차량, 의료기기, 음료, 식료품과 접촉하는 기기, 긴급 차단회로, 레저장비, 연소장비 등에 사용

※ 로봇 제품은 바르게 선정하여 주십시오.

- 여기에 수록되어 있는 제품은 사용 조건이 다양하므로 그 시스템에 대한 적합성의 결정은 전체 시스템의 설계자 또는 사양을 결정하는 사람이 필요에 따라 분석이나 테스트를 한 후 결정해 주십시오. 이 시스템의 안전성 보장에 대한 책임은 시스템의 적합성을 결정하는 사람에게 있습니다. 향후 최신제품 카달로그나 기술자료에 따라 사양의 모든 내용을 검토하고, 기기의 고장 가능성에 대한 상황을 시스템에 구성하십시오.

※ 충분한 지식과 경험을 가진 사람이 취급하십시오.

- 로봇 제품은 취급을 잘못하면 위험합니다. 서보모터 등을 사용한 기계, 장비의 조립이나 조작, 시운전, 보수점검 등은 충분한 지식과 경험을 가진 사람이 하십시오.

※ 안전을 확인할 때까지는 절대로 기계, 장비를 조작하거나 기기를 분리하지 마십시오.

※ 기계, 장비의 점검 및 정비는 파구동 물체가 떨어지거나 오동작 등을 방지할 수 있는 조치 등이 되어있는지를 확인한 후에 하십시오.

※ 기기를 분리할 때는 위의 안전조치가 되어있는지 확인하고 설비의 전원을 차단한 후 시스템이 정지한 것을 확인하고 작업하십시오.

○ 설계상의 주의

경고 (Warning)

※ 이동하는 워크가 인체에 위험을 미칠 우려가 있거나 리니어모듈 운동부에 신체 일부 등이 끼일 위험이 있는 경우에는 이에 대한 안전대책을 세워야 합니다.

※ 정전에 의해 모터가 정지하면 이송중이던 워크가 낙하할 우려가 있습니다. 인체나 시스템에 손상을 주지 않도록 낙하방지 대책을 강구해야 합니다.

○ 선정

경고 (Warning)

※ 로봇에 설치되는 부착물은 가볍고 짧게 하십시오.

- 부착물이 길고 무거우면 운동시 관성이 커져 슬라이더 블록에 무리한 하중이 전달되어 수명에 나쁜 영향을 줄 수 있습니다.

- 되도록 편하중이 작게 설계하십시오. 워크나 부착물이 작더라도 리니어모듈의 본체 중심에서 멀리 떨어져 있으면 편하중 및 모멘트 발생의 원인이 됩니다. 이는 시스템의 수명을 저하시키거나 작동 중 이상 현상을 일으킬 수 있으므로 선정기준에 의해 안전한 조건이 되도록 시스템을 설계하십시오.

※ 과도한 외력이나 충격은 삼가하십시오.

- 고장의 주 원인이 됩니다. 그러한 외력이나 충격이 발생할 수 있는 경우 필요에 따라 폐사에 문의하십시오.

○ 부착·사용

경고 (Warning)

※ 기계, 기구물에 로봇 제품을 부착하는 경우 제품을 떨어뜨리거나 부딪쳐서 충격을 주지 마십시오.

- 외형적인 변형이 없더라도 제품의 작동불량, 수명 저하의 원인이 됩니다.

※ 제품의 고정은 규정된 나사와 방법에 의해 적절하게 체결하십시오.

- 규정 이상의 토크에 의한 체결은 제품의 변형, 작동이상 등의 원인이 되며 부속한 체결토크는 위치가 맞지 않거나 제품이 이탈하는 원인이 됩니다.

주의 (Caution)

- 오버런(Over run)하지 마십시오. 제품의 슬라이더부를 지정된 이동 범위 내에서만 작동시켜야 하며 스트로크 끝단에서 물리적인 충격을 받으면 내부 부품에 무리를 주어 작동불량의 원인이 됩니다.
- 부착물, 워크 등은 흔들리거나 움직이지 않게 단단히 고정하여 주십시오. 특히 시 운전시에도 정상적인 조건과 동일하게 제품에 부착되는 부품이나 워크를 고정해야 합니다.
- 제품에 분진이나 기름 등 이물질이 떨어지지 않도록 주의하여 설치하십시오. 먼지, 가공 칩, 절삭유 등 이물질이 제품 내부에 유입되면 베어링이나 볼스크류 등의 운동부에 나쁜 영향을 주어 고장의 원인이 됩니다. 만약 이러한 환경에 설치가 필요할 경우 방지대책을 세우십시오.

○ 급유

주의 (Caution)

- 윤활제는 지정된 그리스 외 임의의 것을 사용 하지 마십시오. 특히 방청을 겸하는 일부 윤활제의 경우 구동부에 악영향을 줄 수 있으므로 주의 하십시오.

○ 점검 및 보수

경고 (Warning)

- 제품의 점검은 반드시 시스템을 정지하여 안전을 확보한 후 하십시오. 슬라이더의 이동방향이나 제품의 틈새로 손이나 이물질들을 넣지 마십시오. 상처를 입거나 사고의 원인이 됩니다.

MS Series

LU Series

MB Series

LB Series

LC Series

LL Series

LA Series

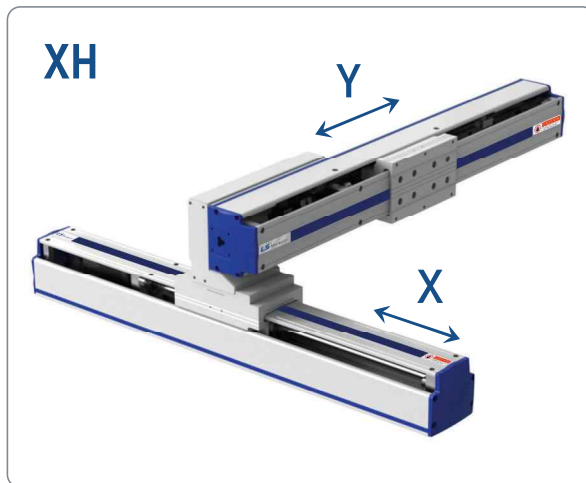
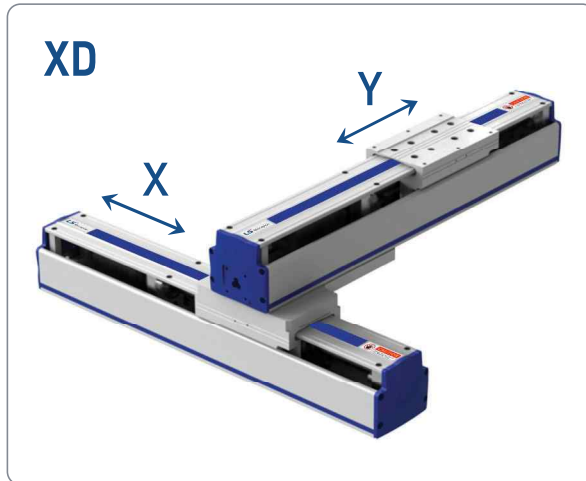
LX Series

LT Series

Ball Screw Type 조합 INDEX

로봇의 조합형태

- Bracket을 이용한 조합 형태는 크게 XD, XH, XV 3가지로 구분됩니다.



MS Series

LU Series

MB Series

LB Series

LC Series

LL Series

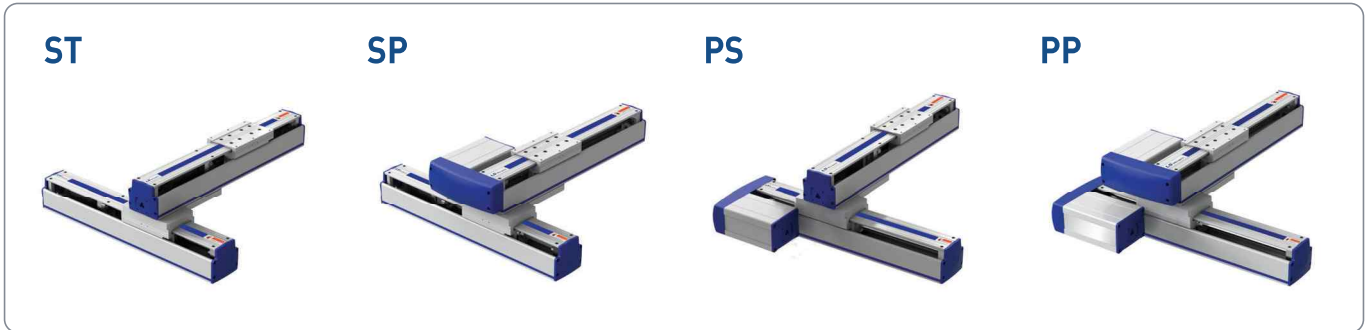
LA Series

LX Series

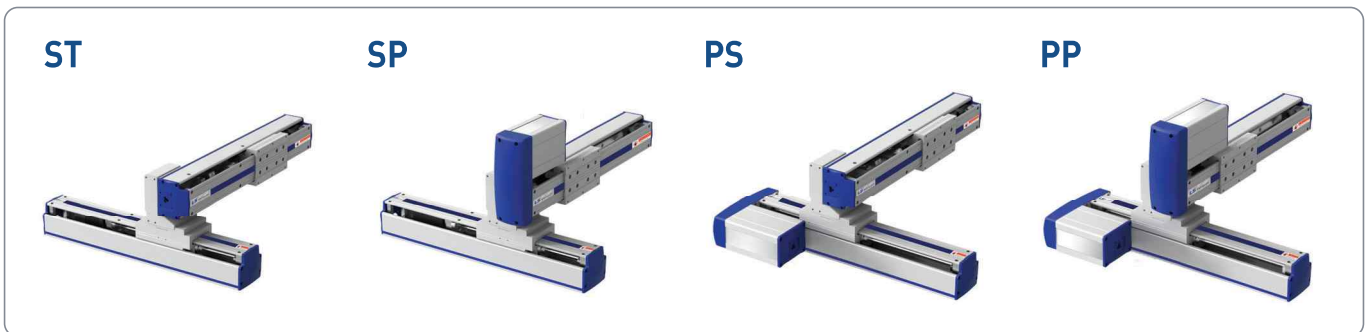
LT Series

조합형태에 따른 응용 모델

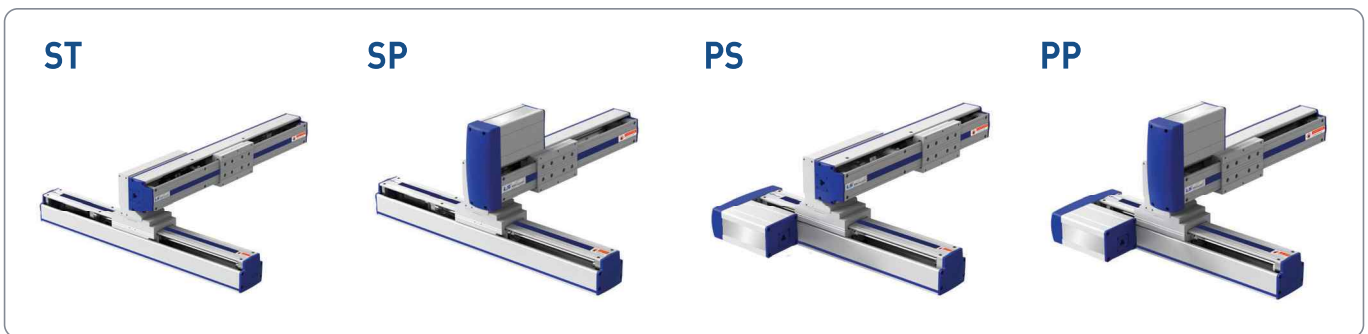
○ XD-AL-□□



○ XH-BS-□□



○ XH-BL-□□



○ XV-AV-□□



- MS Series
- LU Series
- MB Series
- LB Series
- LC Series
- LL Series
- LA Series
- LX Series
- LT Series